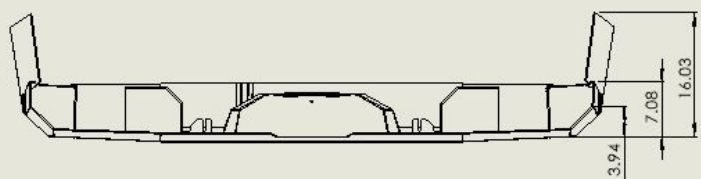
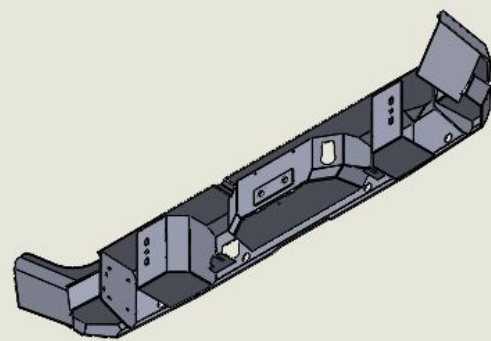
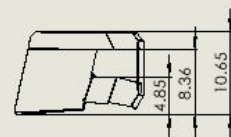
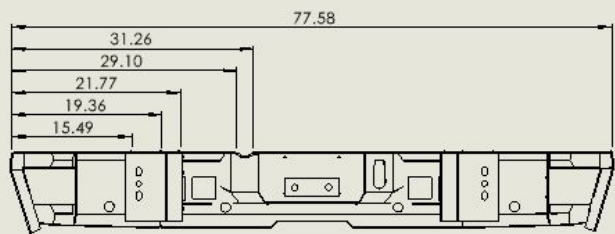
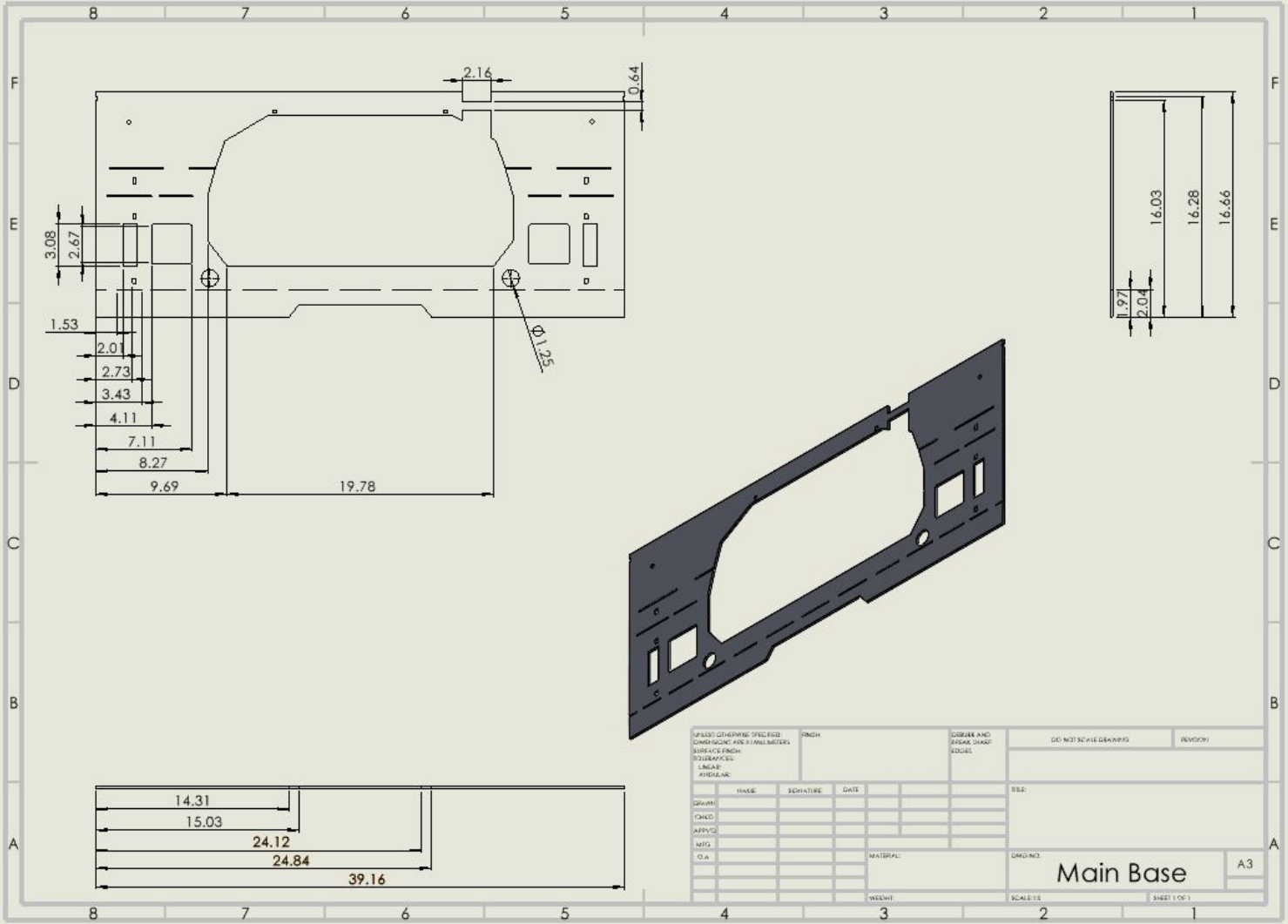


Carson's Front CAD Drawings



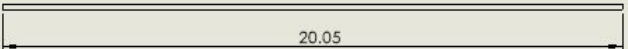
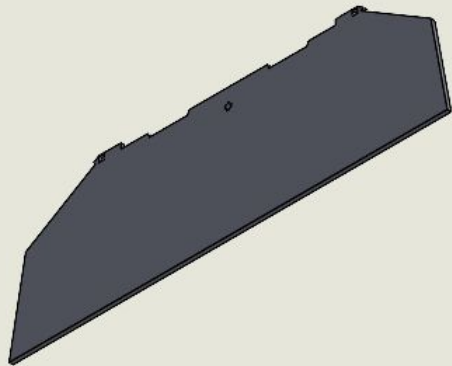
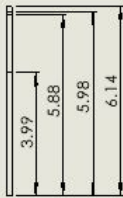
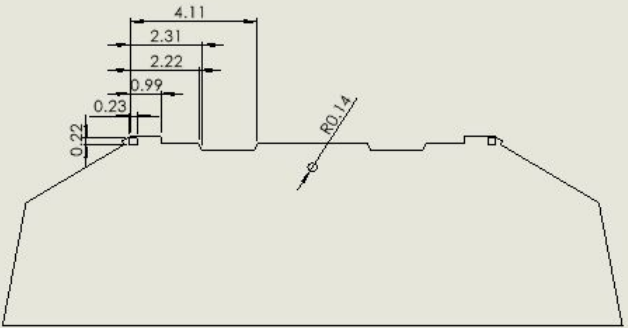
UNLESS OTHERWISE SPECIFIED: DIMENSIONS ARE IN MILLIMETERS SURFACE FINISH TO BE FINISHED TOLERANCES: HOLE: ANGULAR:			FINISH:	DEALER AND FINAL SHARP SEALS:	DO NOT SCALE DRAWING	REVISION:
DRAWN:	NAME	SIGNATURE	DATE		TITLE:	
CHK'D:						
APP'D:						
MFG:						
D.A.				MATERIAL:	DWG. NO. Cesars Bumper Assembly	
				WEIGHT:	SCALE: 1:1	SHEET 1 OF 1



UNLESS OTHERWISE SPECIFIED DIMENSIONS ARE IN MILLIMETERS SURFACE FINISH EQUBRAFKEL LINEAR FINISHLINE		FINISH	DIBLER AND PRAK SHAD EQUEL		DO NOT SCALE DRAWINGS	REVISION
DRW:	DATE:	SIGNATURE:	DATE:	DATE:	DATE:	DATE:
CHKD:						
APPV:						
MG:						
QA:						
MATERIAL:			DRG NO.:		SCALE: 1:1	
WEIGHT:			SHEET 1 OF 1		A3	

Main Base

A3



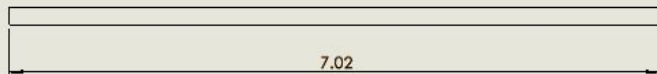
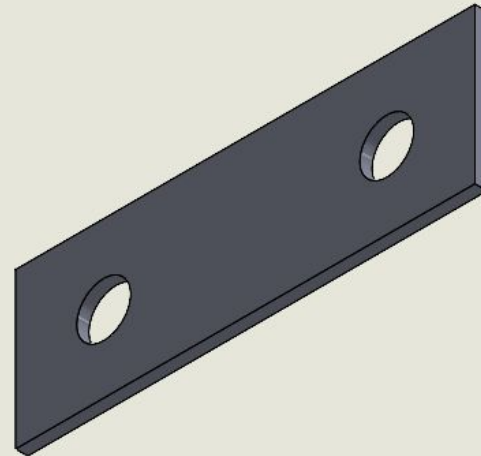
UNLESS OTHERWISE SPECIFIED:		FINISH:		DURABLE AND		DO NOT SCALE DIMENSIONS		INVESTOR	
DIMENSIONS ARE IN MILLIMETERS				SHARP					
SURFACE FINISH:				EDGES:					
TOLERANCES:				APPROVAL:					
LINEAR:				NAME		DATE		DATE:	
ANGULAR:				SIGNATURE		DATE		DATE:	
DRAWN:									
CHK'D:									
APP'VD:									
MFG:									
Q.A.									
				MATERIAL:				DWG. NO.	
								Bottom License A3	
				WEIGHT:				SHEET 1 OF 1	



Ø 0.82

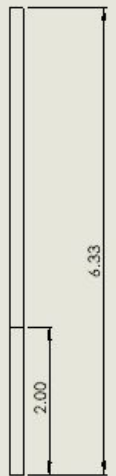
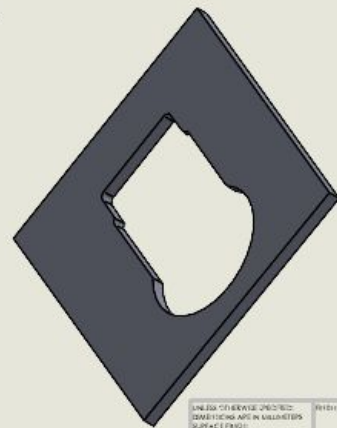
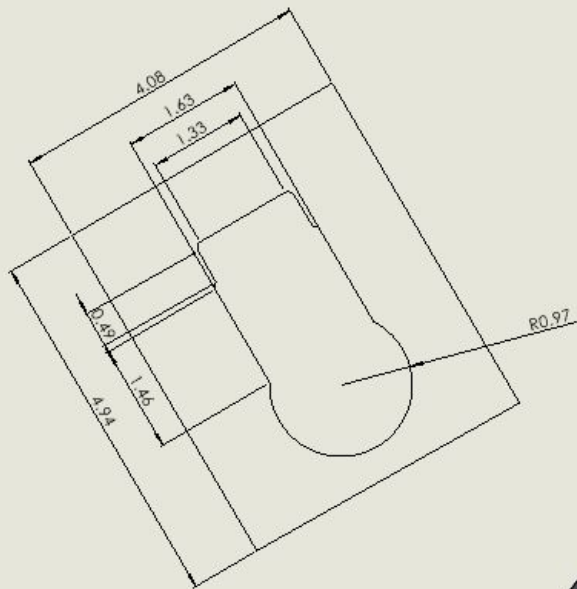


2.38



7.02

INLET DIMENSIONS CHECKED:	FINISH:	CORNERS AND BROOK SHARP EDGES:	DO NOT SCALE DRAWING	REVISION:
DIMENSIONS: ABSOLUTE/RELATIVE				
SURFACE FINISH:				
SYMBOLS:				
LINE:				
ANGLES:				
NAME	SIGNATURE	DATE	TITLE:	
DRAWN				
CHEK				
APPROVE				
MFG				
Q.A				
			DWG. NO.:	
			License Support A3	
		MATERIAL:	SCALE: 1:1	SHEET 1 OF 1
		MESH:		

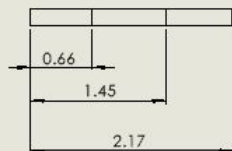
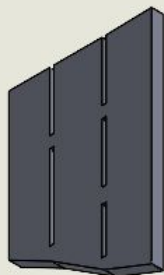
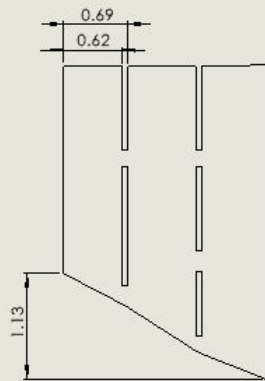


UNLESS OTHERWISE SPECIFIED:
DIMENSIONS ARE IN MILLIMETERS
SURFACE FINISH:
FOLLGANCES:
CLEAN:
ALL EDGES:

REV	DATE	BY	CHKD	APPV	REVISION

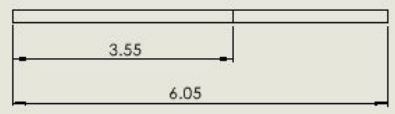
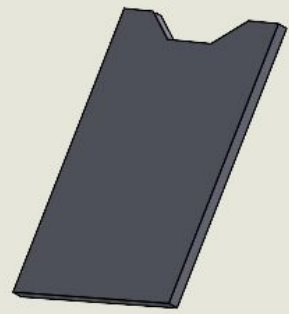
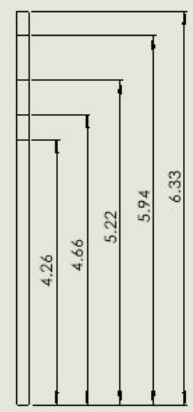
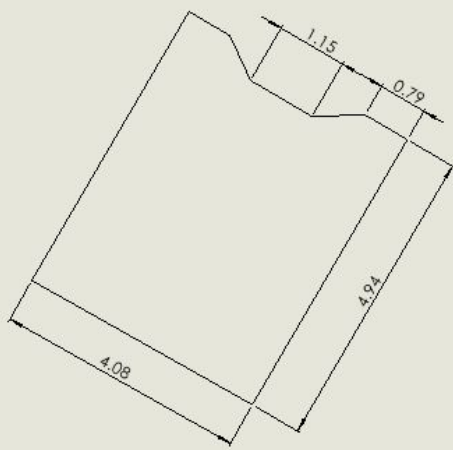
DESIGNER AND AREA: _____
 CHECKER: _____
 DATE: _____
 FILE: _____
 SCALE: 1:1
 SHEET 1 OF 1

License Light A3



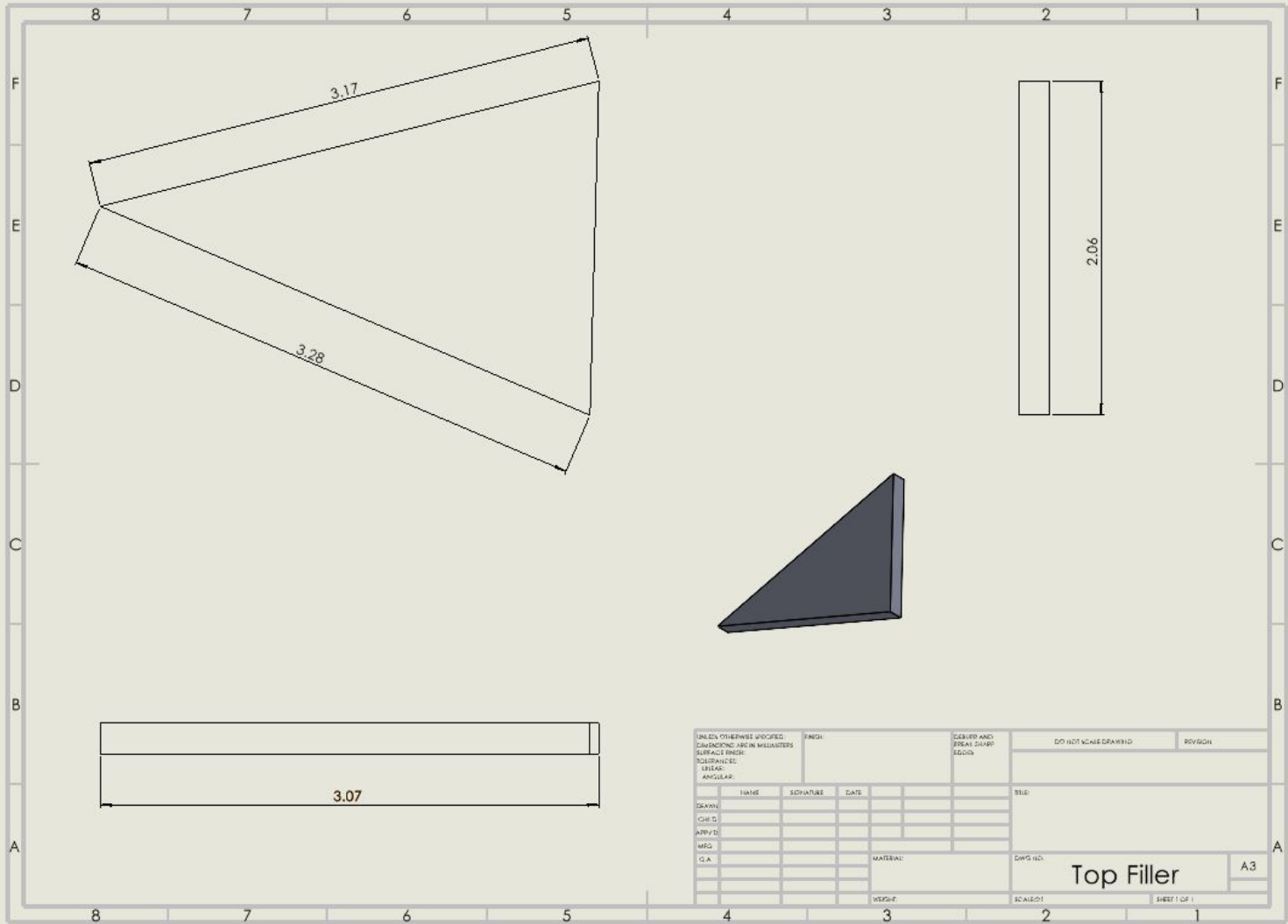
UNLESS OTHERWISE SPECIFIED: DIMENSIONS ARE IN MILLIMETERS SURFACE FINISH TOLERANCES: FRACTIONS DECIMALS				FINISH:		DRAWER AND DATE: SHARP TIGER		DO NOT SCALE DRAWING		REVISION	
DRAWN:				NAME		SIGNATURE		DATE		TITLE:	
CHK'D:											
APP'D:											
MFG:											
Q.A.											
						MATERIAL:		DWG NO:		A3	
						WEIGHT:		SCALE: 1:1		SHEET 1 OF 1	

Tube Fitting

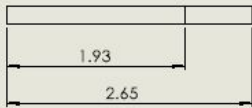
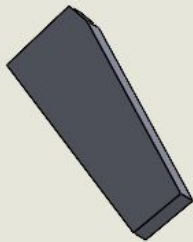
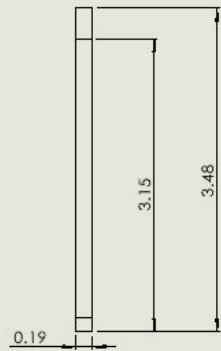
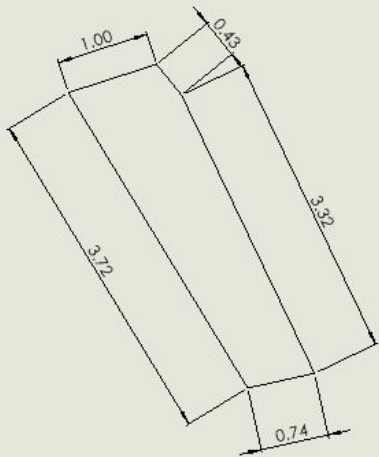


UNLESS OTHERWISE SPECIFIED: DIMENSIONS ARE IN MILLIMETERS SURFACE FINISH UNFINISHED TOLERANCE: ANGULAR:				FINISH:	DESIGN AND DETAIL SHARP CORNER	DO NOT SCALE DRAWING	REVISED
DRWVN:	NAME	SIGNATURE	DATE			TITLE:	
CHK'D:							
APP'D:							
MFG:							
Q.A.					MATERIAL:	DWG NO.	
						43	
					WEIGHT:	SCALE: 1:1	
						SHEET 1 OF 1	

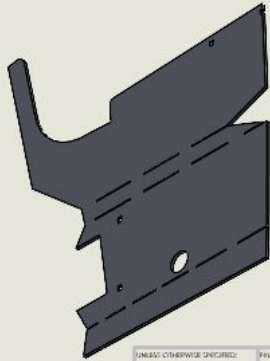
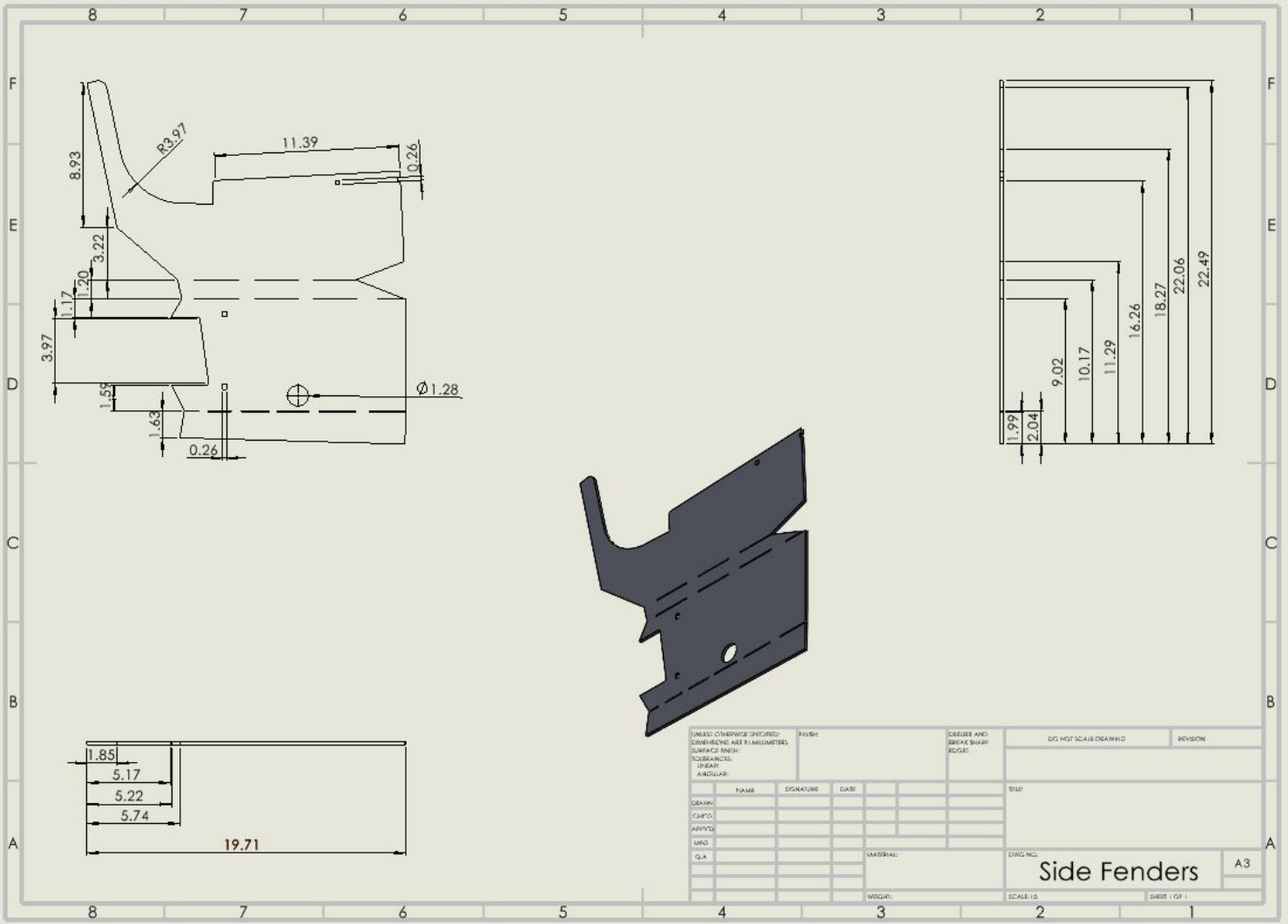
Side Mounting Point



UNLESS OTHERWISE SPECIFIED: DIMENSIONS ARE IN MILLIMETERS SURFACE FINISH: RECTANGULAR: CHAMFER: ANGULAR:			FINISH	DEBURR AND BREAK SHARP EDGES	DO NOT SCALE DRAWING	REVISION
DRAWN	NAME	SIGNATURE	DATE	TITLE:		
CHK'D				DWG NO. Top Filler		
APPROV'D						
MSG						
Q.A.						
			MATERIAL:	SCALE: 1:1		A3
			WEIGHT:	SHEET 1 OF 1		

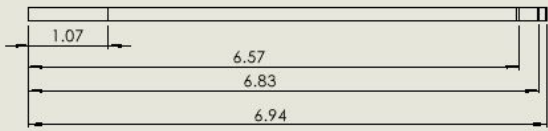
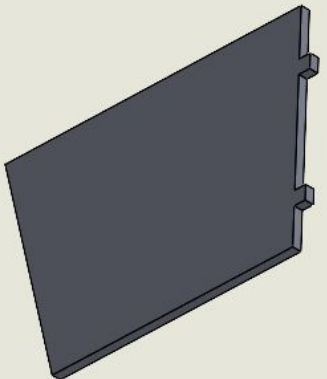
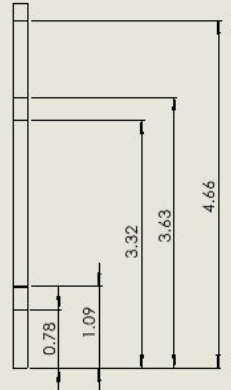
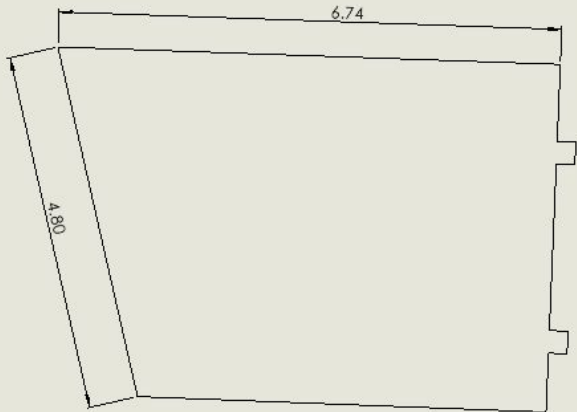


UNLESS OTHERWISE SPECIFIED:			FINISH:		DEBurr AND EDGE SHARP EDGES		DO NOT SCALE DRAWING		REVISION	
DIMENSIONS ARE IN MILLIMETERS										
SURFACE FINISH:										
TOLERANCES:										
ANGULARS:										
DATE:	NAME:	SIGNATURE:	DATE:		TITLE:					
					Undercover End Filler ^{A3}					
MATERIAL:				DRAWN BY:		SCALE:		SHEET 1 OF 1		
WEIGHT:										

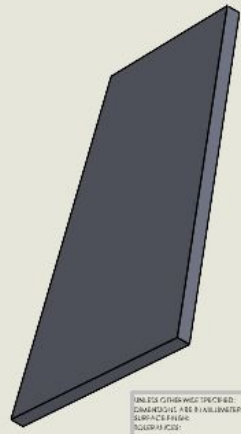
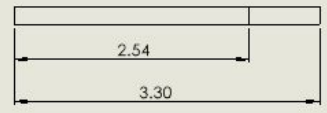
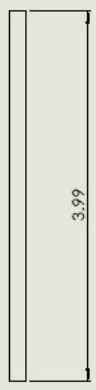
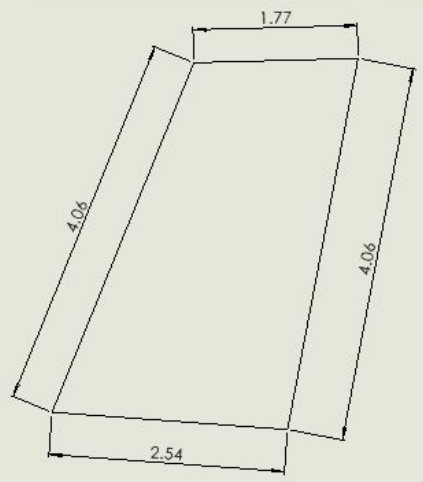


UNLESS OTHERWISE SPECIFIED: DIMENSIONS ARE IN MILLIMETERS			FINISH:		DRESS AND BREAK SHARP EDGES		DO NOT SCALE DRAWING		REVISION	
SURFACE FINISH: SERRATED; TREAD: ANGULAR:										
DRAWN:	NAME:	SIGNATURE:	DATE:							
CHECKED:										
APPROVED:										
DATE:										
CL:										
					MATERIAL:		DWG. NO.:		A3	
					WEIGHT:		SCALE 1:1		SHEET 1 OF 1	

Side Fenders

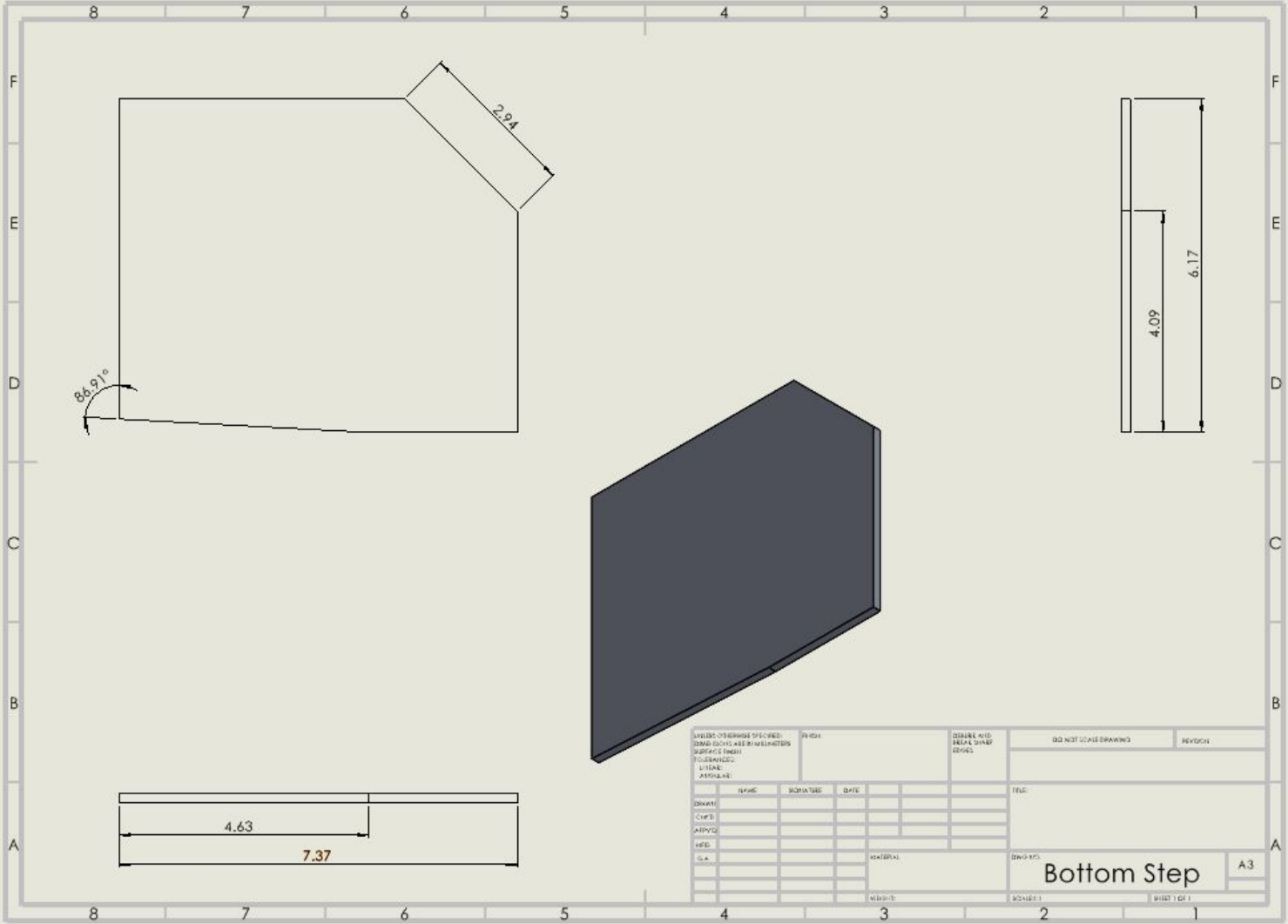


UNLESS OTHERWISE SPECIFIED, DIMENSIONS ARE IN MILLIMETERS SURFACE FINISH: TOLERANCES: LINEAR: ANGULAR:				FINISH:	DRIVER AND BREAK SHARP EDGES:	DO NOT SCALE DRAWING	REVISION:
DATE:	NAME:	SIGNATURE:	DATE:			TITLE:	
CHKD:							
APP'D:							
ENG:							
G.A.:					MATERIAL:		
					WORK:		
						DWG NO.:	
						Back Step Walling^{A3}	
						SCALE: 1:1	SHEET 1 OF 1



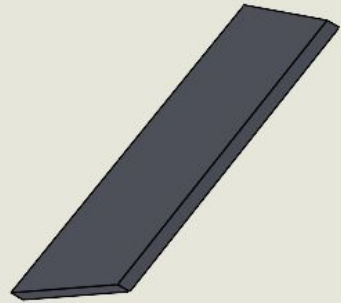
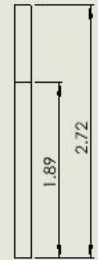
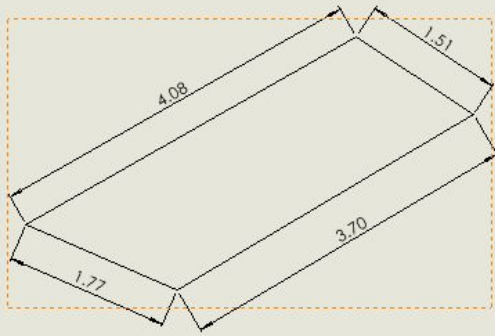
UNLESS OTHERWISE SPECIFIED:			FINISH:		DIMENSIONS AND HOLE SHAPES UNLESS NOTED		DO NOT SCALE DRAWING		REVISED	
DIMENSIONS ARE IN MILLIMETERS										
SURFACE FINISH:										
TOLERANCES:										
LINEAR:										
ANGULAR:										
DRAWN:	NAME:	SIGNATURE:	DATE:				TITLE:			
CHEK'D:										
APPROVE:										
MFG.:										
Q.A.:										
					MATERIAL:		DWG. NO.:		A3	
					WEIGHT:		SCALE: 1:1		SHEET 1 OF 1	

Bottom Filler Fender^{A3}

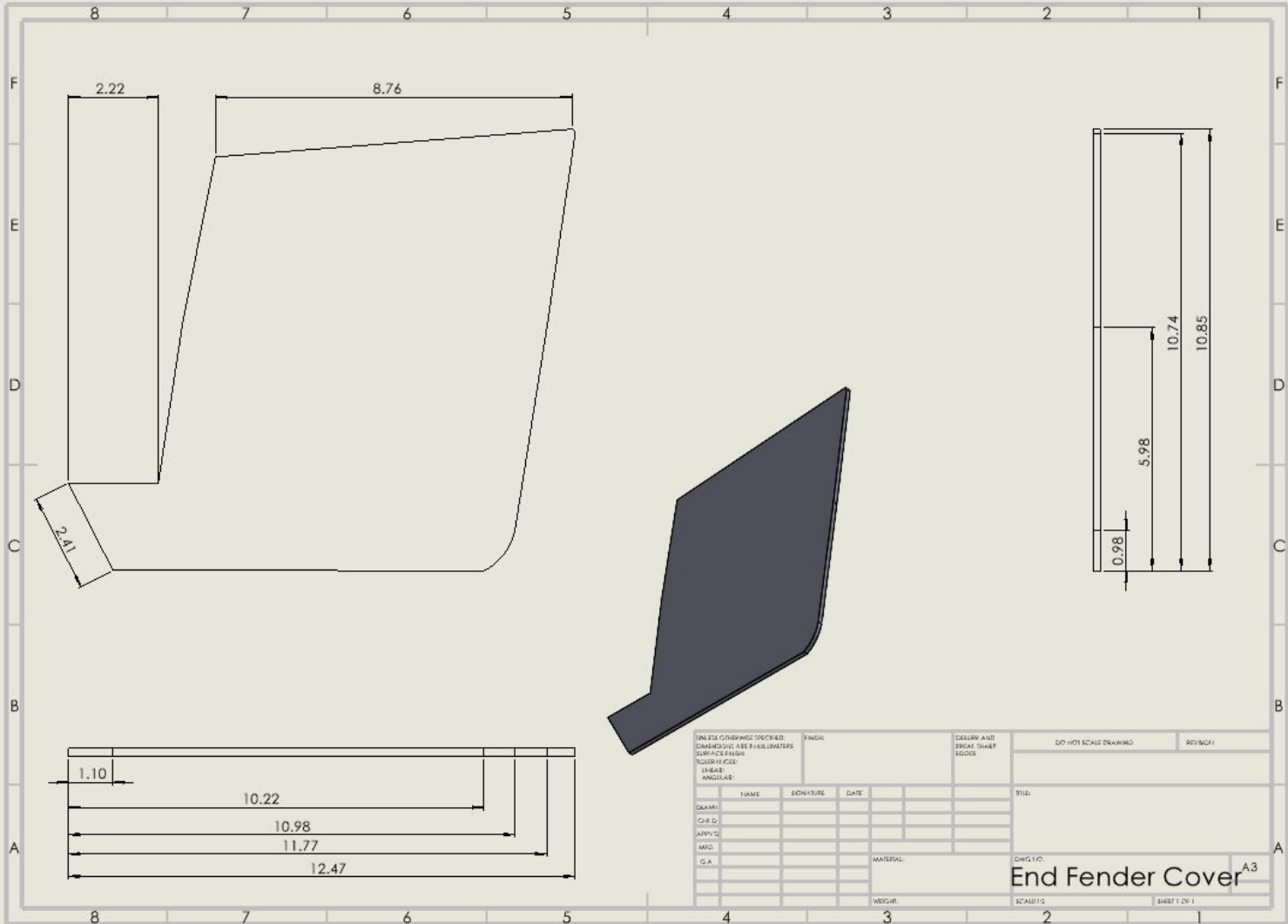


UNLESS OTHERWISE SPECIFIED:				FINISH		DIMENSIONS ARE UNLESS SHOWN OTHERWISE		DO NOT SCALE DRAWING		REVISIONS	
DIMENSIONS ARE IN MILLIMETERS											
SURFACE FINISH											
TOLERANCES:											
FRACTIONS											
DECIMALS											
ANGLES:											
NO.	DATE	BY	CHKD.	DATE	BY	CHKD.	DATE	BY	CHKD.	DATE	BY

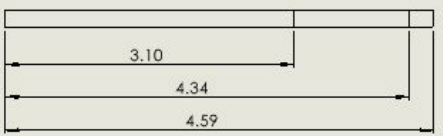
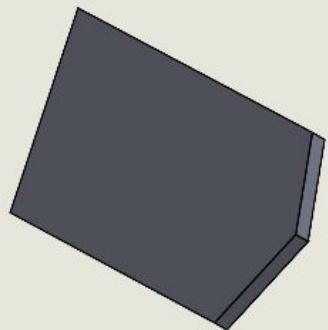
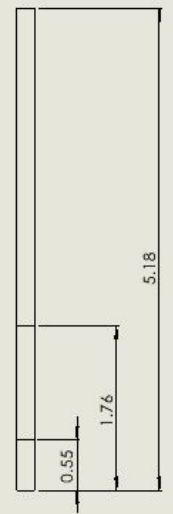
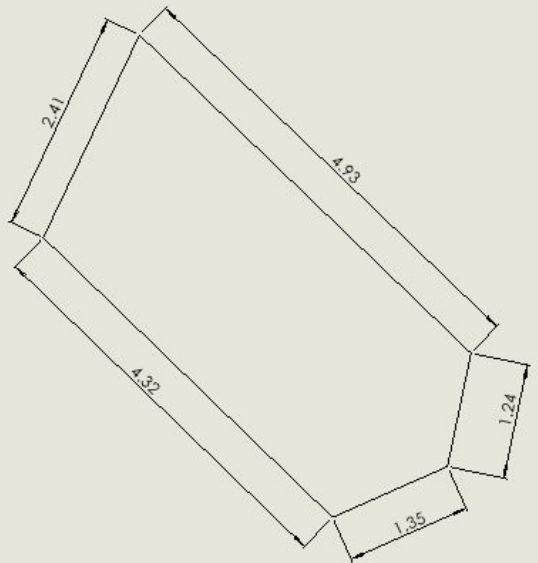
DWG NO: **Bottom Step** A3
 SCALE: 1:1 SHEET 1 OF 1



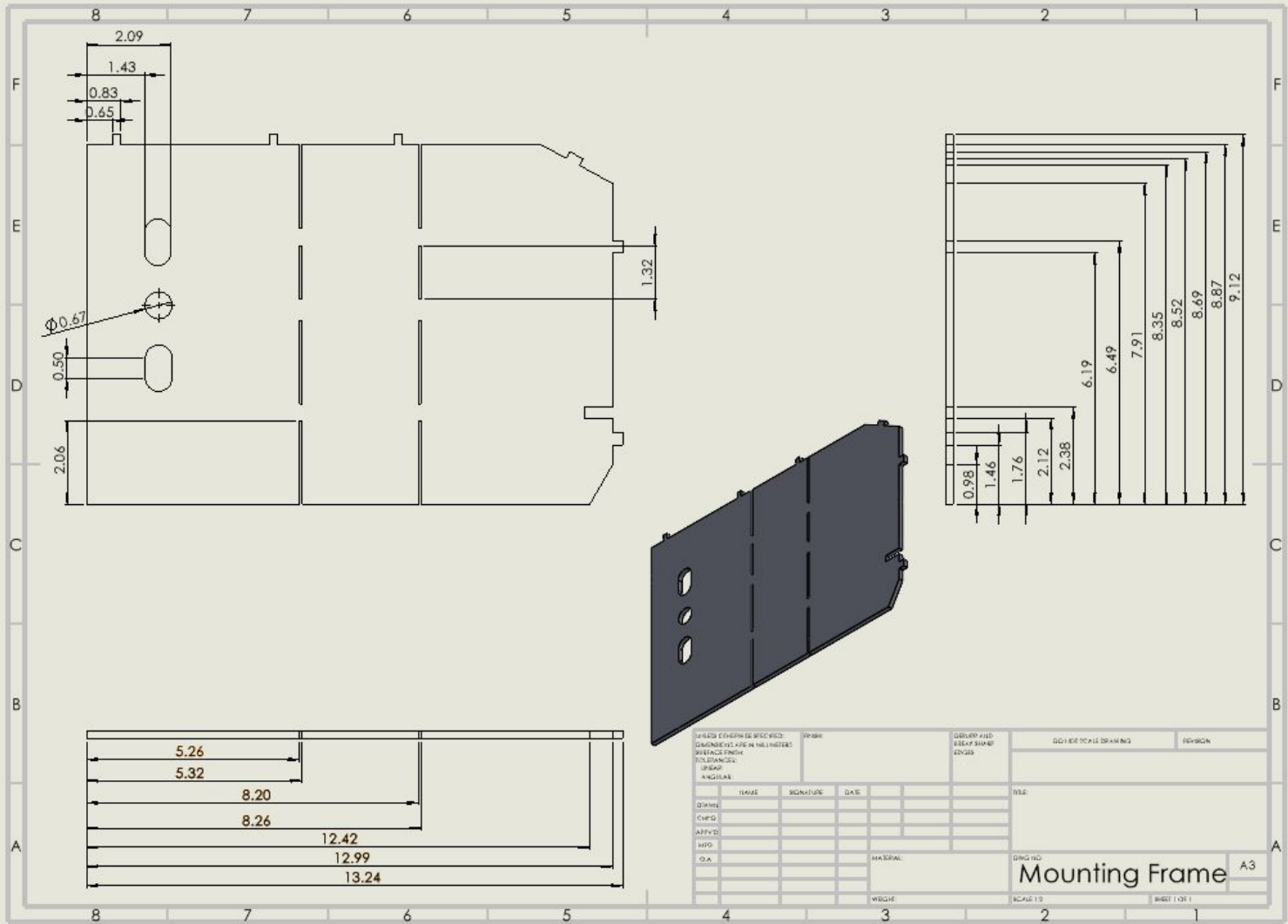
UNLESS OTHERWISE SPECIFIED: DIMENSIONS ARE IN MILLIMETERS SURFACE FINISH: CLEAR ANGLE:		FINISH:	DESIGN AND DRAWN BY:	DO NOT SCALE DRAWING	REV/ACH
DRAWN:		NAME	SIGNATURE	DATE	TITLE:
CHK'D:					
APP'D:					
MFG:					
Q.A.					
		MATERIAL:		DWG. NO.:	
		WEIGHT:		Inner Top Fender A3	
				SCALE: 1:1	
				SHEET 1 OF 1	



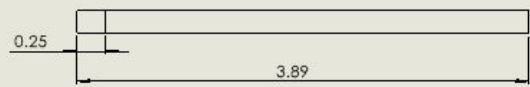
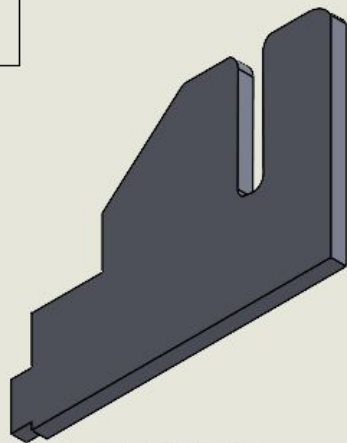
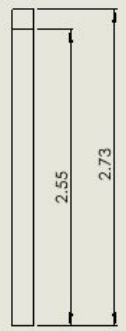
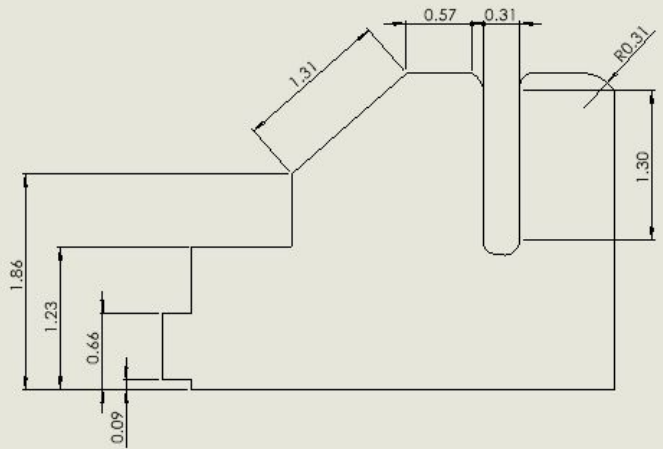
UNLESS OTHERWISE SPECIFIED: DIMENSIONS ARE IN MILLIMETERS SURFACE FINISH: TOLERANCES: DIMENSIONS: ANGLES:			PAGE:	DESIGN AND BECAT SHARP EDGES	DO NOT SCALE DRAWING	REV/NO:
DESIGN:	NAME	SIGNATURE	DATE		TITLE:	
CHEK:						
APP'D:						
MAT:						
G.A.				MATERIAL:	DWG NO. End Fender Cover ^{A3}	
				WEIGHT:	SCALE: 1:1	
					SHEET 1 OF 1	



UNLESS OTHERWISE SPECIFIED: DIMENSIONS ARE IN MILLIMETERS SURFACE FINISH: TOLERANCES: LINEAR ANGULAR:				FINISH:	DRIBBER AND EROSION GAWF EVIDENT:	DO NOT SCALE DRAWING	REVISION
DESIGN	NAME	DATE					
CHKD	REVISED	DATE					
APP'VD							
REQ							
O.A.							
					MATERIAL:		
					WEIGHT:		
						DWG NO.	
						Main Fender Filling ^{A3}	
						SCALE: 1:1	SHEET 1 OF 1

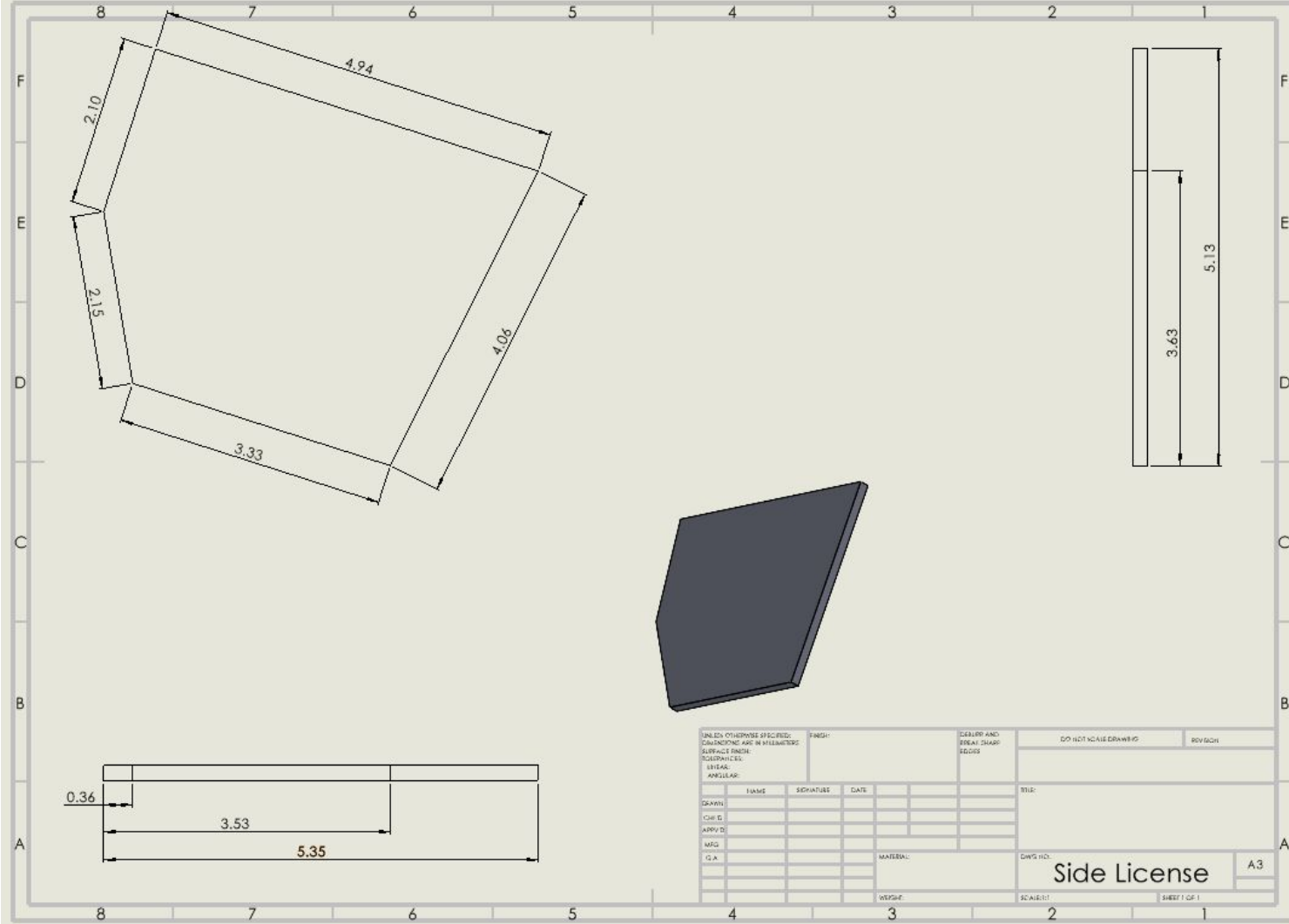


UNITS: DIMENSIONS SPECIFIED DIMENSIONS ARE IN MILLIMETERS DECIMALS FRACTIONS TOLERANCES: DIMS: ANGULAR		DRAFTER AND CHECK SHARP EDGES	SHEET SCALE DRAWING	REVISION
DWG NO. CWPD APPVD MFG D.A.	NAME SIGNATURE DATE	MATERIAL	WEIGHT	Dwg No. Mounting Frame A3 SCALE 1:1 SHEET 1 OF 1



IF A DIMENSION IS NOT SPECIFIED, DIMENSIONS ARE IN MILLIMETERS UNLESS OTHERWISE SPECIFIED			FINISH:	DEBURR AND BREAK SHARP EDGES	DO NOT SCALE DRAWING	REVISED
SURFACE FINISH: SQUARE ROOTS						
LENGTH:						
ANGULAR:						
DATE:	NAME:	SECURITY:	DATE:		FILE:	
CHG:						
APPV:						
MFG:						
D.A:						
				MATERIAL:	DRG NO.	
				WEIGHT:	SCALE: 2:1	SHEET 1 OF 1

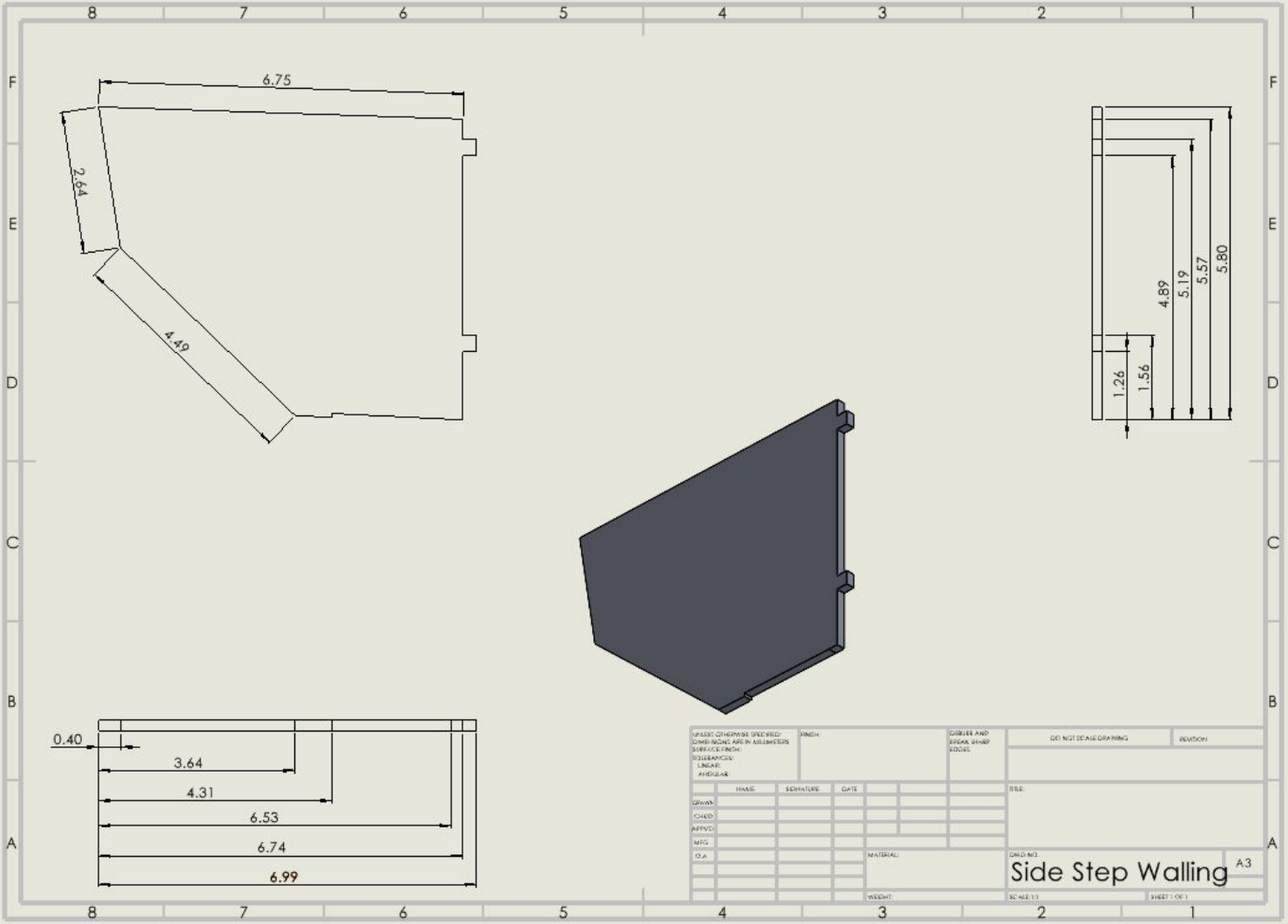
Mounting Stabilizer^{A3}



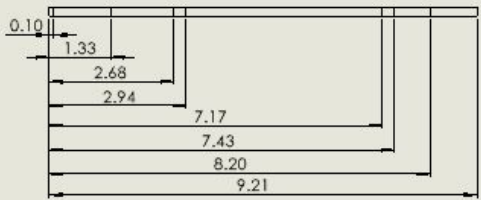
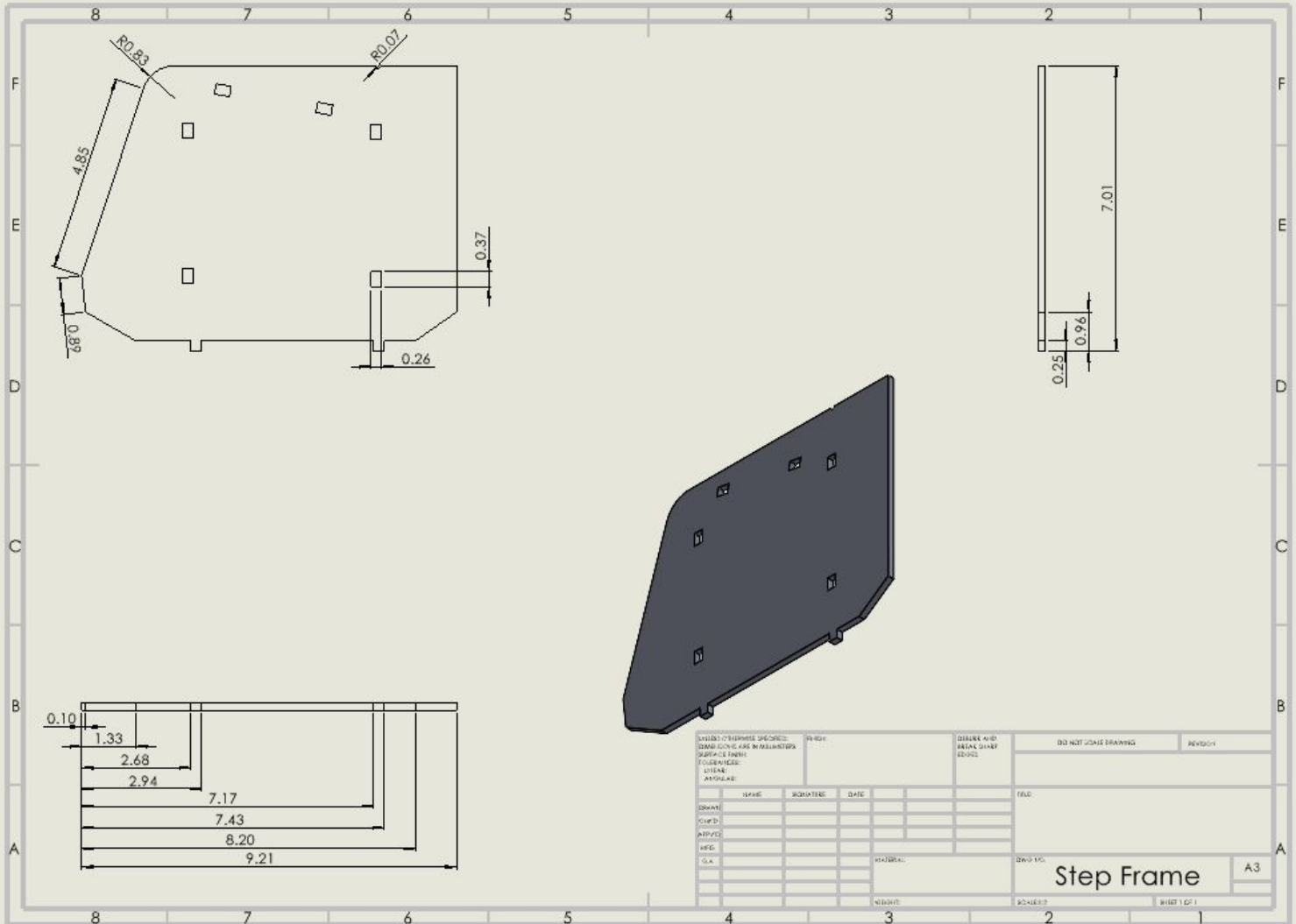
UNLESS OTHERWISE SPECIFIED: DIMENSIONS ARE IN MILLIMETERS SURFACE FINISH CLEARANCES TOLERANCES ANGLES:			FINISH:	DEALER AND DEAL SHARP SCISS	DO NOT SCALE DRAWING	REVISION
DATE:	NAME	SIGNATURE	DATE		TITLE:	
DRAWN						
CHEK						
APPR D						
MFG						
Q.A						
				MATERIAL:	DWG NO:	A3
				WEIGHT:	SCALE:	SHEET 1 OF 1

Side License

A3



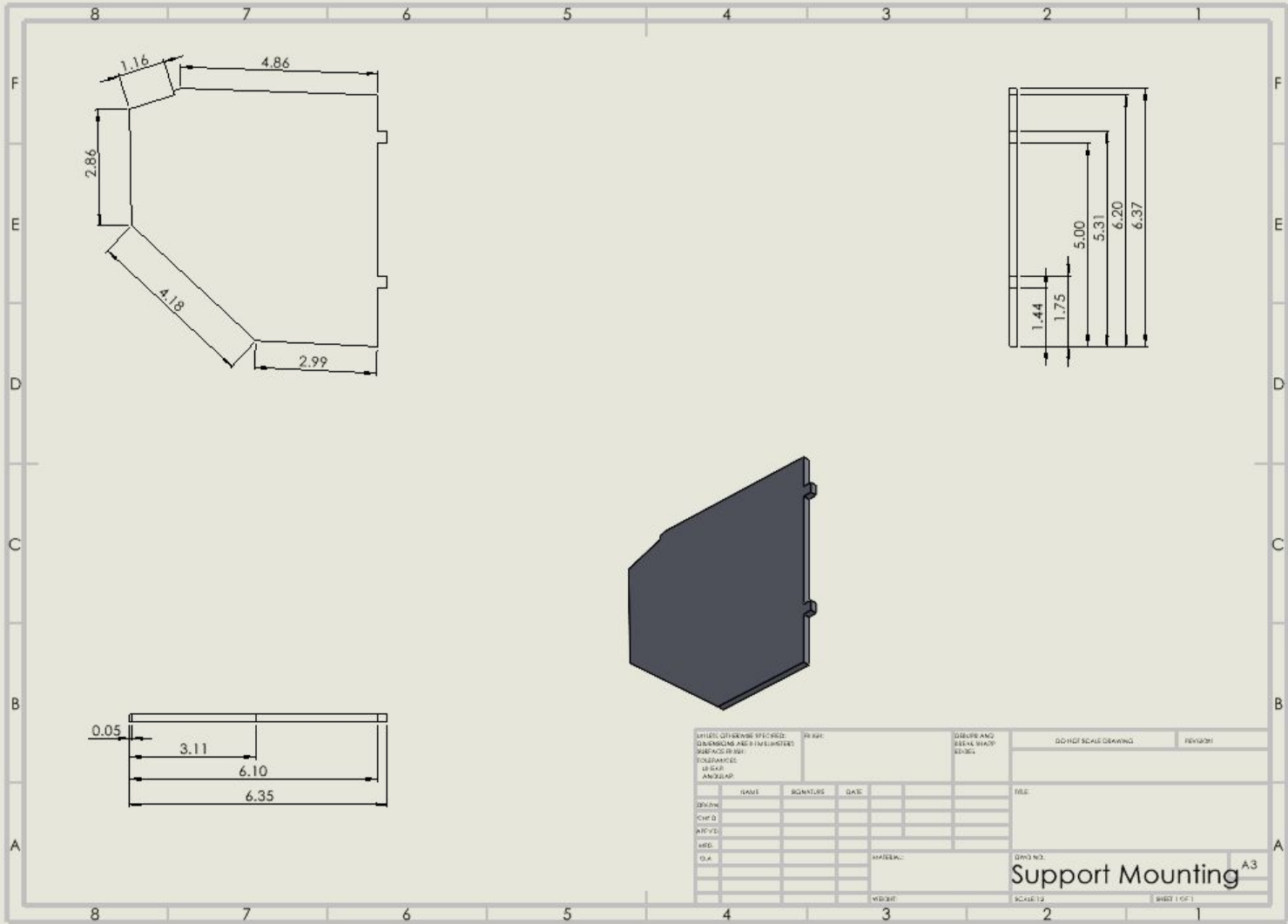
UNLESS OTHERWISE SPECIFIED: (DIMENSIONS ARE IN MILLIMETERS) SURFACE FINISH: TOLERANCES: FINISHES:			FINISH:	DRILL AND BORE HOLE TOLERANCES:	DO NOT SCALE DRAWING	REVISIONS:
DRAWN:	DATE:	SCALE:	TITLE:			
CHECKED:			DRG NO. Side Step Walling A3 SHEET 1 OF 1			
APPROVED:						
MFG:						
O.A.:						
MATERIAL:			WEIGHT:			



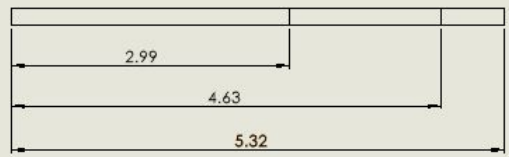
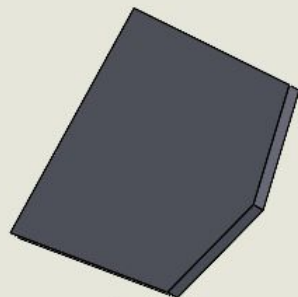
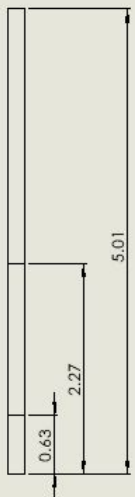
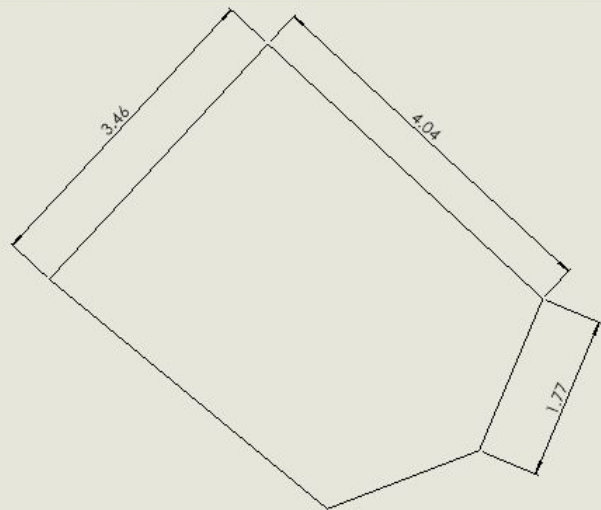
UNLESS OTHERWISE SPECIFIED: DIMENSIONS ARE IN MILLIMETERS SURFACE FINISH TOLERANCES: LINEAR ANGULAR		GRADE	DATE	DESIGN AND DETAIL SHEET NO.	DO NOT SCALE DRAWING	REVISED
DRAWN	DATE	QUANTITY	DATE	FILED		
CHECKED						
APPROVED						
ISSUED						
C.A.						
MATERIAL:			DRAWN BY:		SCALE:	
REVISIONS:			DRAWN NO.:		SHEET 1 OF 1	

Step Frame

A3



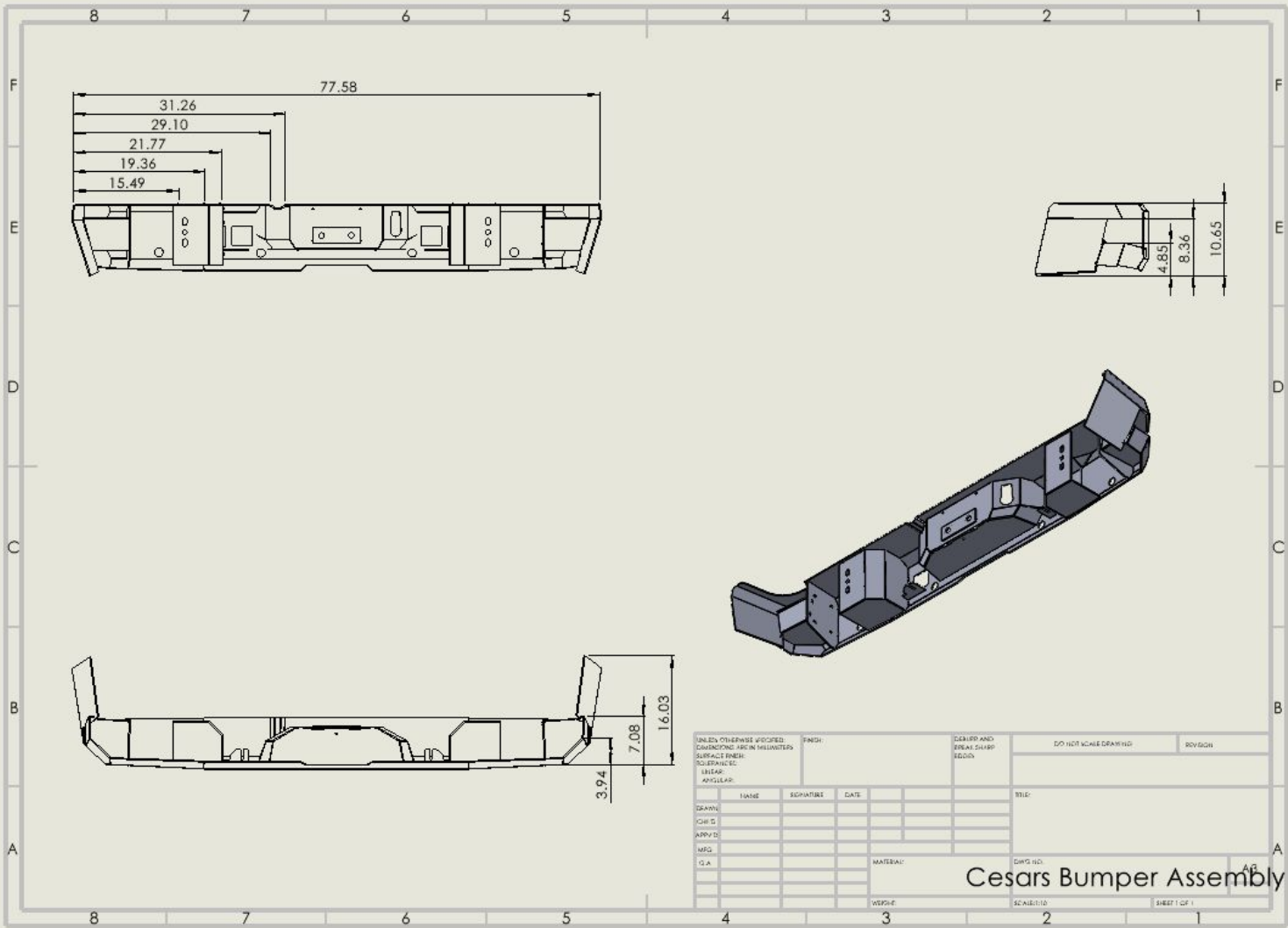
UNLESS OTHERWISE SPECIFIED: DIMENSIONS ARE IN MILLIMETERS SURFACE FINISH TOLERANCES UNLESS INDICATED		DRG. NO.	DATE	DESIGN AND CHECK SHEET SCALE	DO NOT SCALE DRAWING	REVISION
DESIGN	NAME	SIGNATURE	DATE		FILE	
CHK'D						
APP'VD						
MFG.						
D.A.				MATERIAL:		
				WIDTH:		
					DRG. NO.	
					Support Mounting ^{A3}	
					SCALE: 1:1	SHEET 1 OF 1

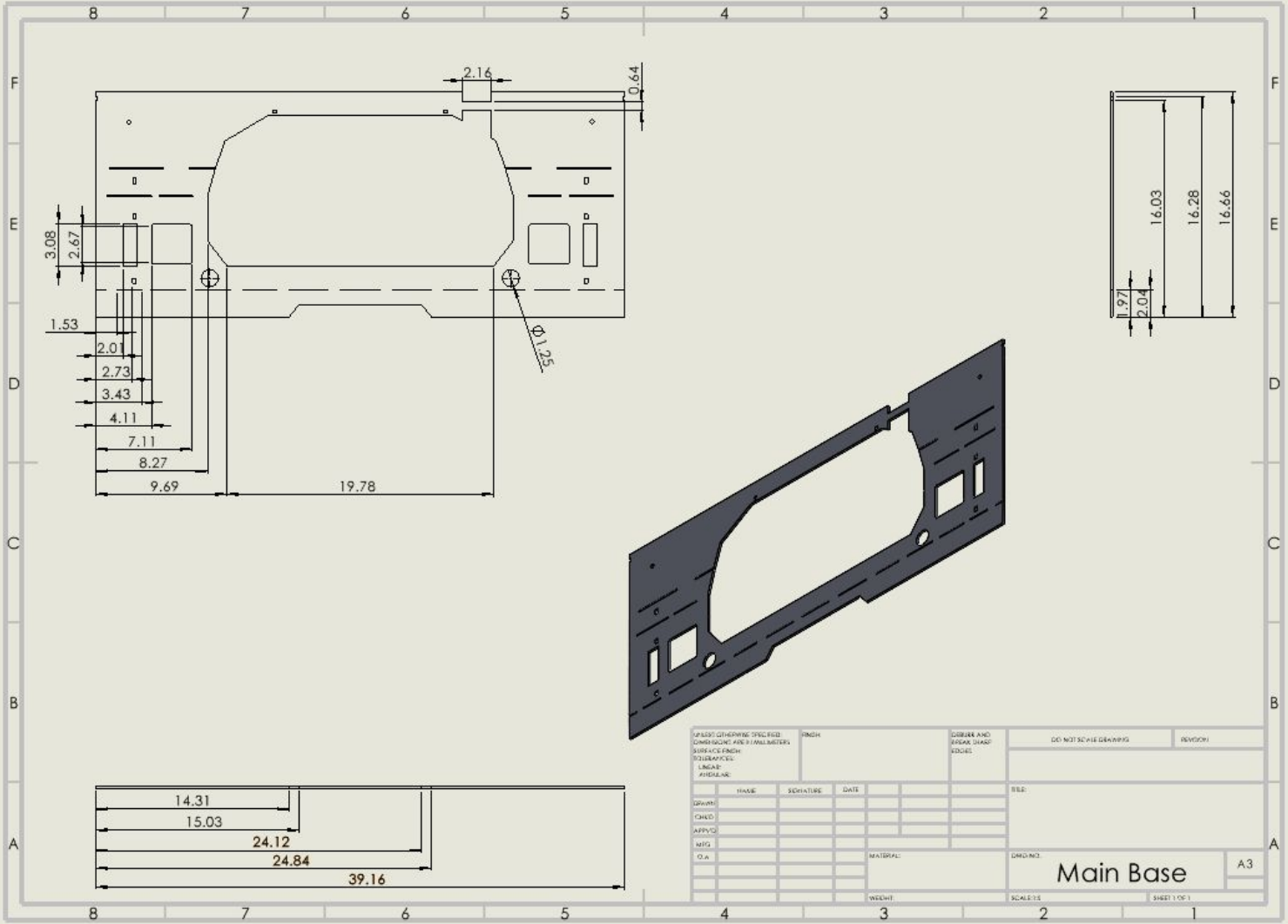


UNLESS OTHERWISE SPECIFIED: DIMENSIONS IN ALL FIGURES UNLESS STATED OTHERWISE			FINISH:	CAMERAS AND OTHER SHARP EDGES	DO NOT SCALE DRAWING	REVISION
TOLERANCES: FRACTIONS: DECIMALS:						
LIBRARY: APPROVAL:						
DRAWN	NAME	SIGNATURE	DATE			TITLE
CHILD						
APPROVED						
BY						
C.A.						
			MATERIAL:	DRG. NO.		
			WEIGHT:	SHEET NO.		

Top Cover Fender^{A3}

Next is Carson's Rear CAD Drawings



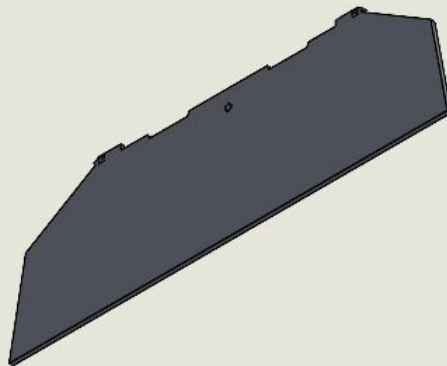
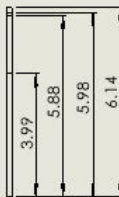
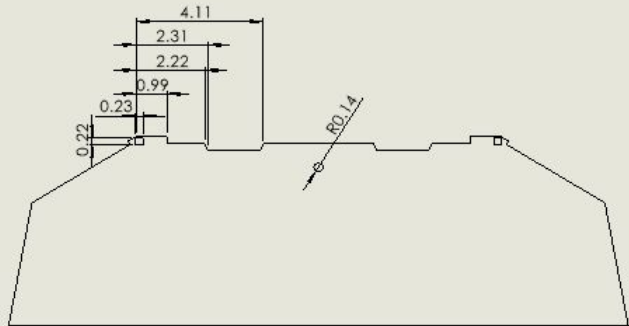


UNLESS OTHERWISE SPECIFIED DIMENSIONS ARE IN MILLIMETERS SURFACE FINISH EQUBRAFFEL LINEAR FINISH LINE		FINISH	DIBLER AND PINKS SHARP EDGES		DO NOT SCALE DRAWINGS	REVISION
DATE:	NAME:	SIGNATURE:	DATE:		REV:	
CHKD:						
APPVD:						
MTG:						
O.A:						
				MATERIAL:	DWG NO.:	
				WEIGHT:	SCALE: IS	

Main Base

A3

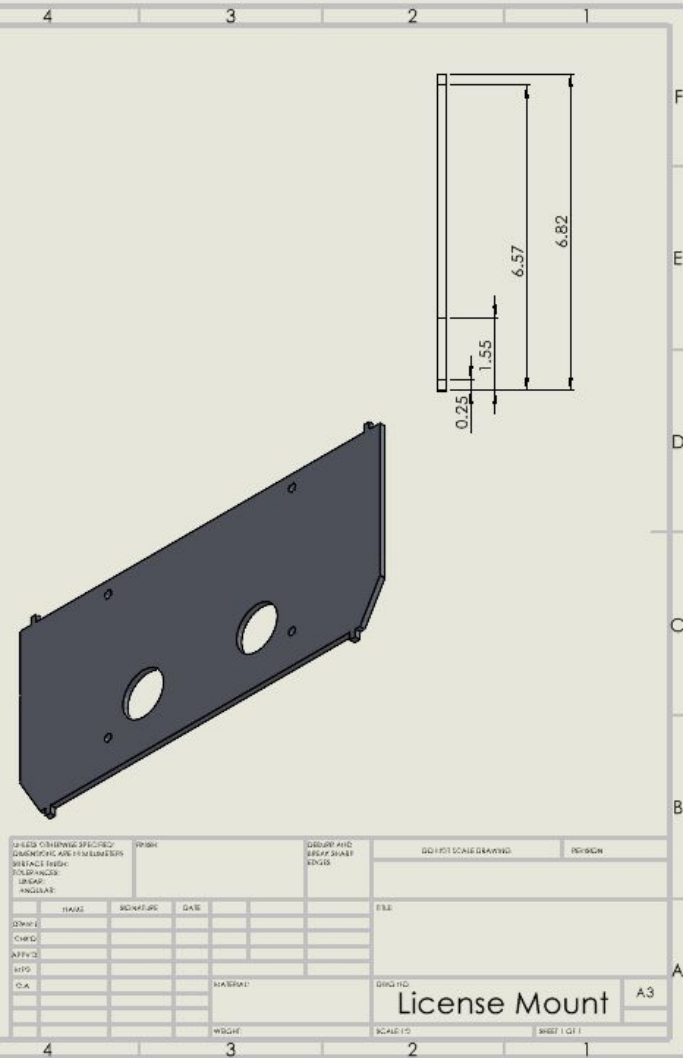
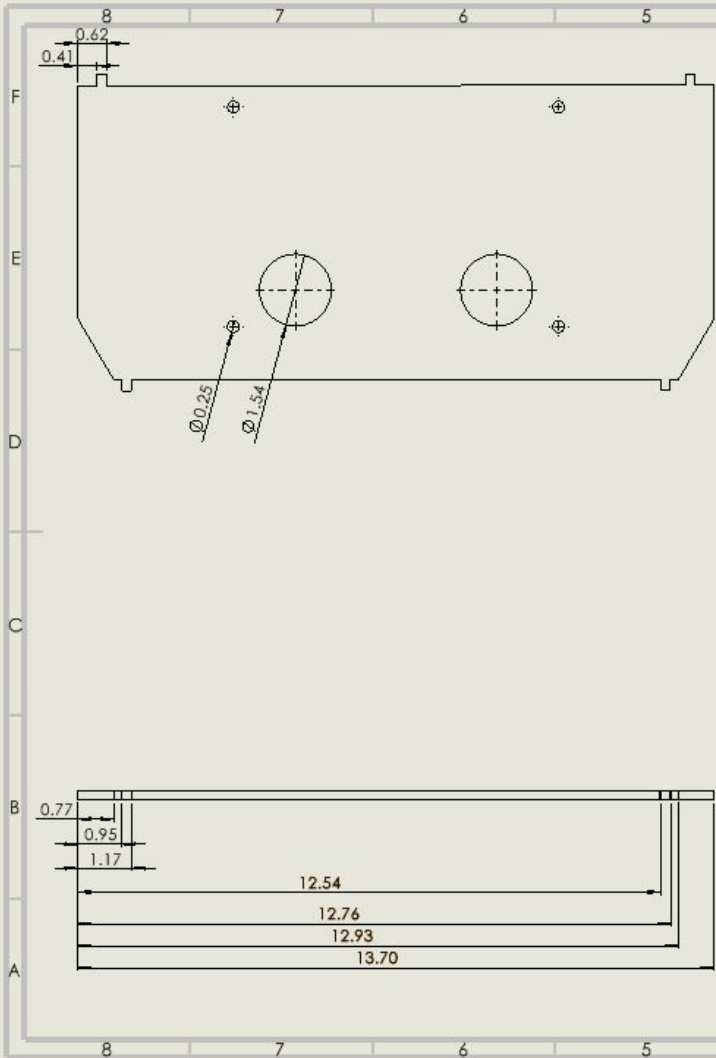
SHEET 1 OF 1



UNLESS OTHERWISE SPECIFIED: DIMENSIONS ARE IN MILLIMETERS SURFACE FINISH TOLERANCES: LINEAR: ANGULAR:	FINISH:	CORNER AND EDGESHARP RADIUS	DO NOT SCALE DIMENSIONS	INVESTIG:
DRAWN:	NAME:	SCHWARTZ:	DATE:	DATE:
CHEK'D:				
APP'VD:				
ENG:				
D.A.				
	MATERIAL:			
	WEIGHT:			

DWG. NO. **Bottom License** A3

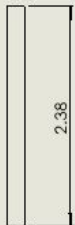
SHEET 1 OF 1



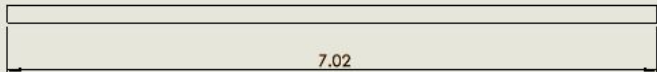
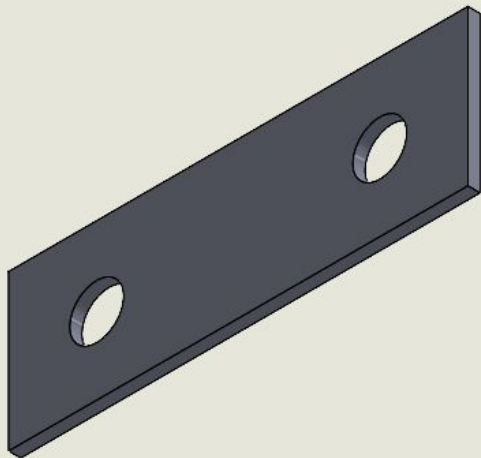
UNLESS OTHERWISE SPECIFIED DIMENSIONS ARE IN MILLIMETERS		FINISH	GROUP AND SUBGROUP	DATE	DESIGNER AND CHECKER
DIMENSIONS OF HOLE SPACINGS UNLESS SPECIFIED					
TOLERANCES:					
FRACTIONS:					
DECIMALS:					
ANGLES:					
DATE	THICK	CONTRACT	DATE	JOB	
CHKD					
APP'D					
BY					
D.A.					
				DRAWING NO.	
				License Mount	
				A3	
				SCALE: 1:1	
				SHEET 1 OF 1	



0.82

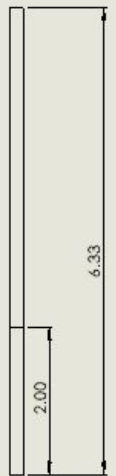
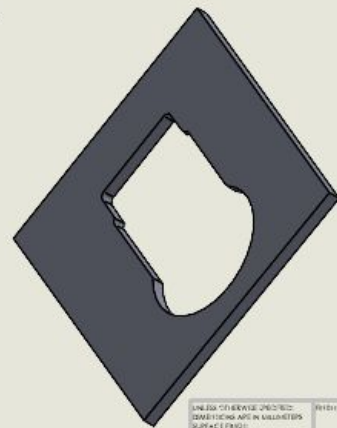
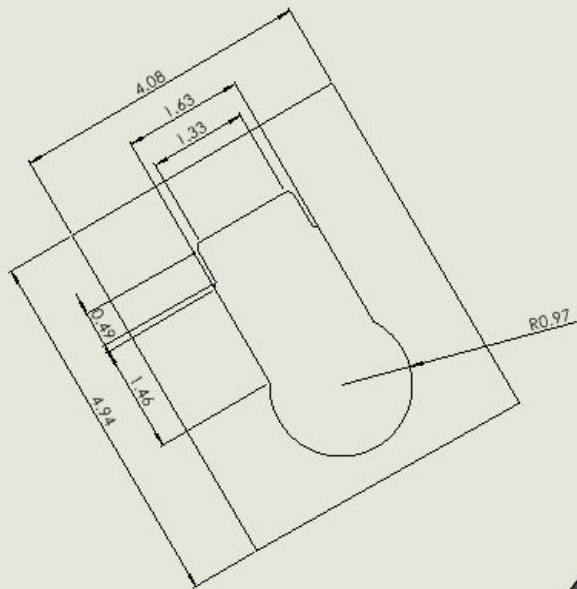


2.38



7.02

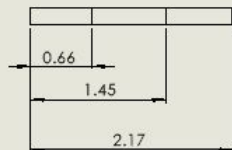
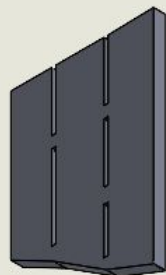
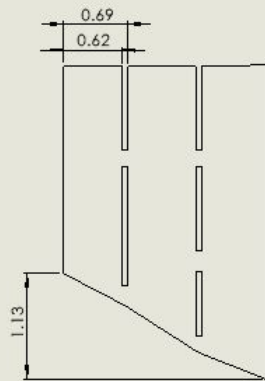
INLET ORIFICES CHECKED	FINISH:	CHAMFERS AND BROK SHARP EDGES	DO NOT SCALE DRAWING	REVISION:
DIMENSIONS: AS SHOWN/UNLESS SPECIFIED				
SURFACE FINISH:				
THREADS:				
LINEAR:				
ANGULAR:				
DRAWN:	NAME	SIGNATURE	DATE	TITLE:
CHECKED:				
APPROVE:				
MFG:				
QA:				
		MATERIAL:	DWG. NO.:	
			License Support	A3
		WEIGHT:	SCALE: 1:1	SHEET 1 OF 1



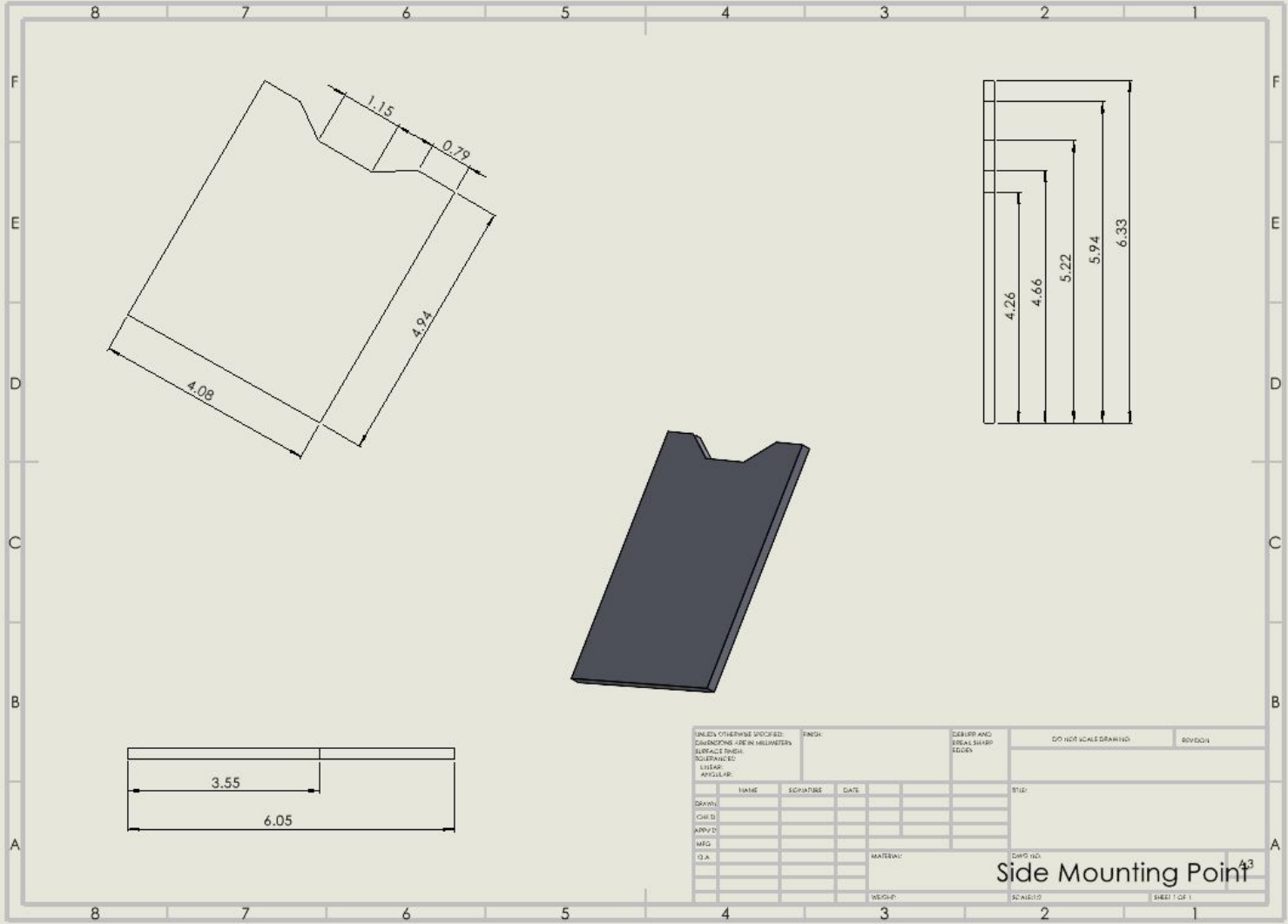
UNLESS OTHERWISE SPECIFIED: DIMENSIONS ARE IN MILLIMETERS SURFACE FINISH: FOLLGANCES CLEAN AS SHOWN			PRICE	ORDER AND MATERIAL REVISED	DO NOT SCALE DRAWING	REVISION
DATE	NAME	JOB NO.	DATE	FILE		
DRW						
CHKD						
APPVD						
ENG						
SLA						
			REVISION	DWG NO.		
			REVISION	SCALE: 1:1		
				SHEET 1 OF 1		

License Light

A3

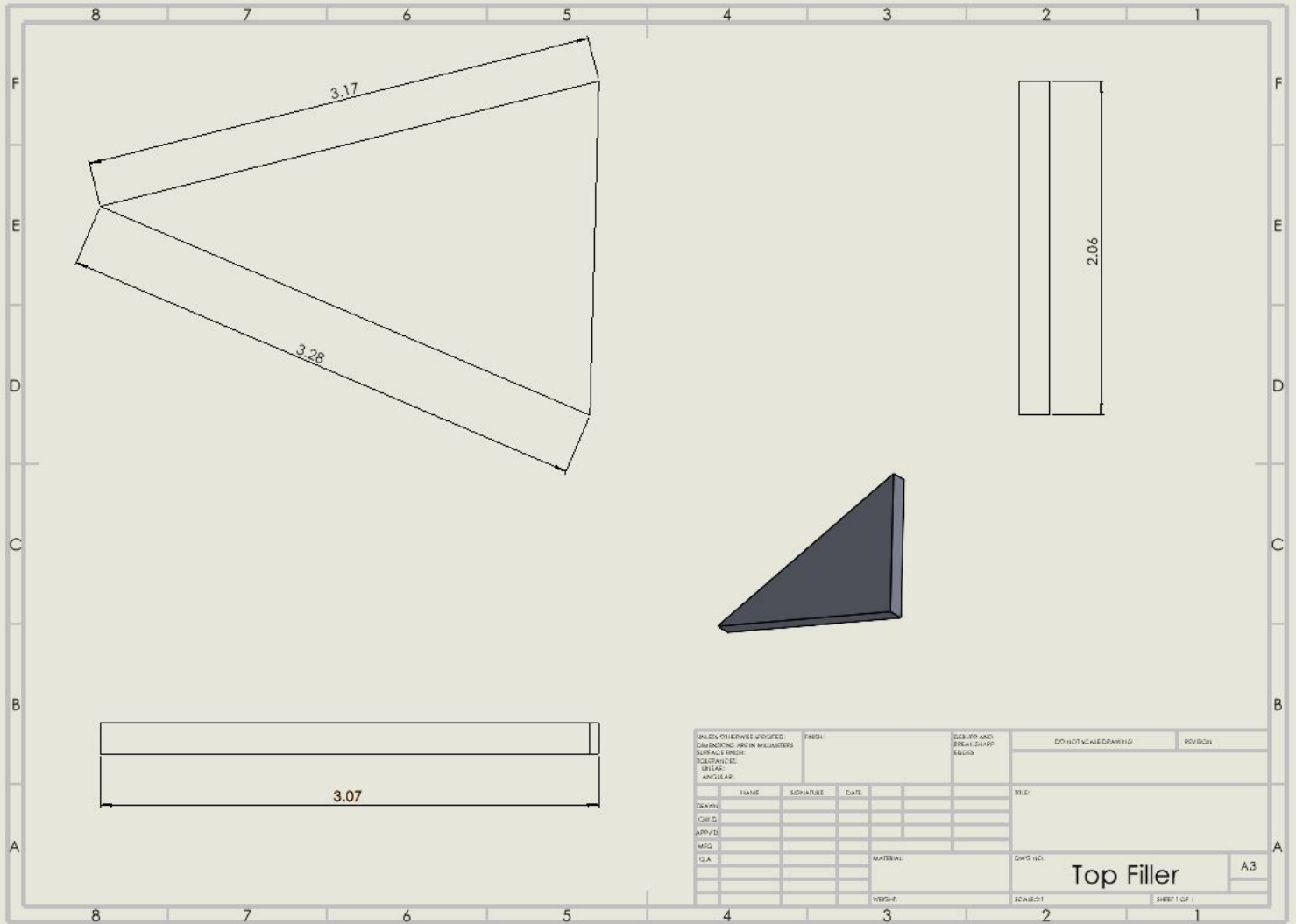


UNLESS OTHERWISE SPECIFIED: DIMENSIONS ARE IN MILLIMETERS SURFACE FINISH: UNLESS SPECIFIED: TOLERANCES: ANGULAR:			PART:		DESIGN AND DRAWN SHARP CORNER		DO NOT SCALE DRAWING		REVISION		
DRAWN:			NAME		SIGNATURE		DATE		TITLE:		
CHK'D:											
APP'D:											
MFG:											
Q.A.											
							MATERIAL:		DWG NO.		
									Tube Fitting		
									A3		
							WEIGHT:		SCALE: 1:1		
									SHEET 1 OF 1		



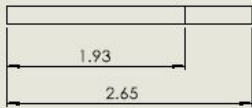
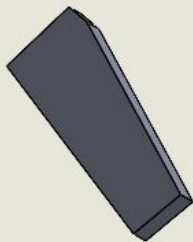
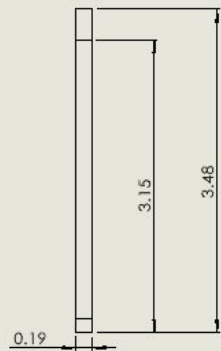
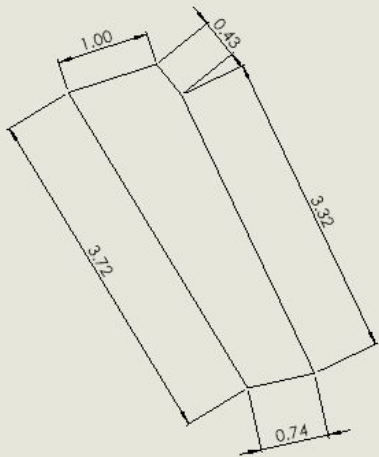
UNLESS OTHERWISE SPECIFIED:		FINISH:		DESIGN AND IDEAL SHARP CORNERS		DO NOT SCALE DRAWING		REVISED	
DIMENSIONS ARE IN MILLIMETERS									
SURFACE FINISH:									
TOLERANCES:									
LINEAR:									
ANGULAR:									
DESIGN:	NAME	SIGNATURE	DATE			TITLE:			
CHK'D:									
APP'D:									
MFG:									
Q.A.									
				MATERIAL:		DWG NO:			
				WEIGHT:		SCALE:		SHEET 1 OF 1	

Side Mounting Point 43

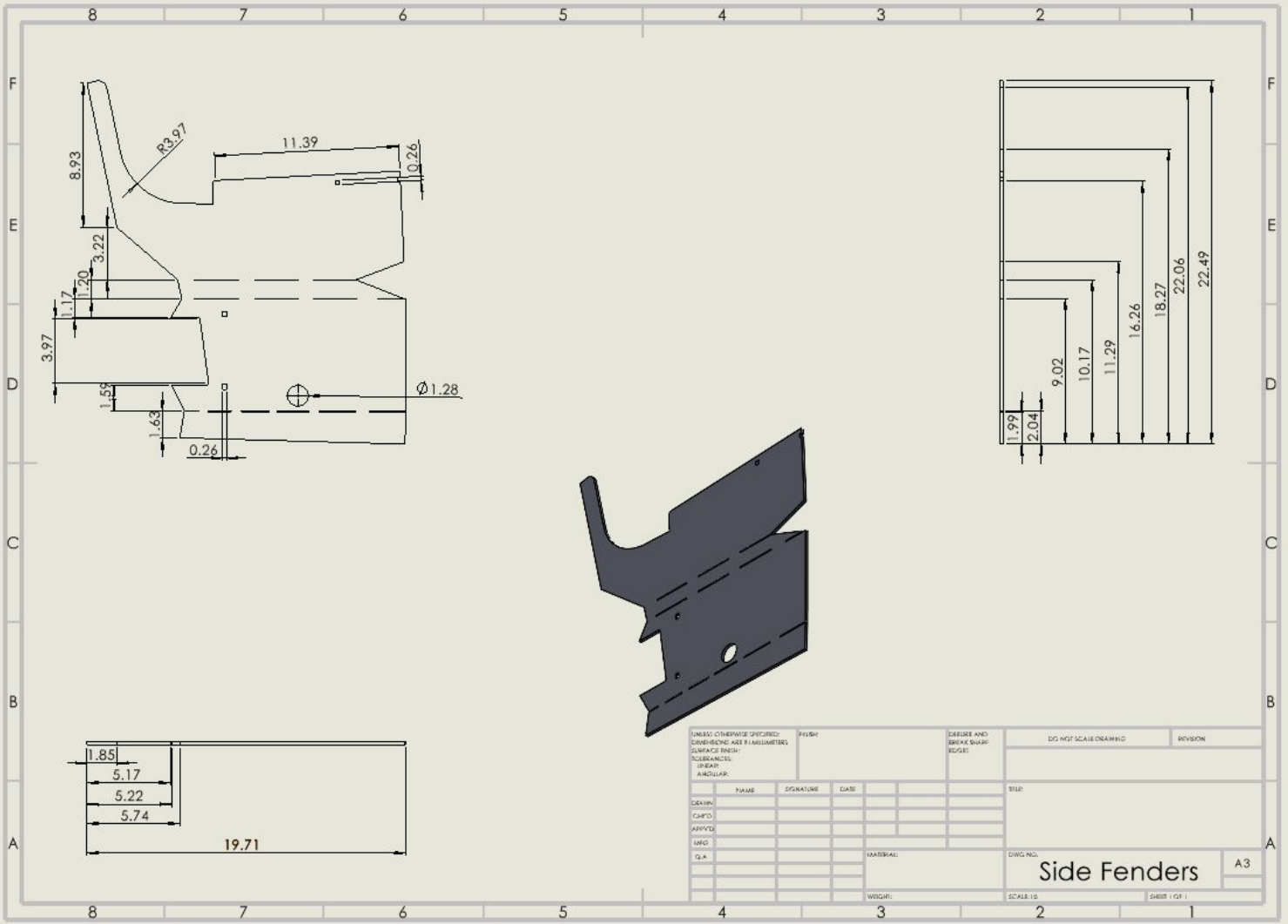


UNLESS OTHERWISE SPECIFIED: DIMENSIONS ARE IN MILLIMETERS SURFACE FINISH: SOLID PARENTHESIS: DIECAST ANGULAR:			FINISH	DEBURR AND BREAK SHARP EDGES	DO NOT SCALE DRAWING	REVISION
DRAWN	NAME	SIGNATURE	DATE	TITLE:		
CHK'D				MATERIAL:		
APPROVED				DWG NO. Top Filler		
MSG				SCALE: 1		
Q.A.				SHEET 1 OF 1		

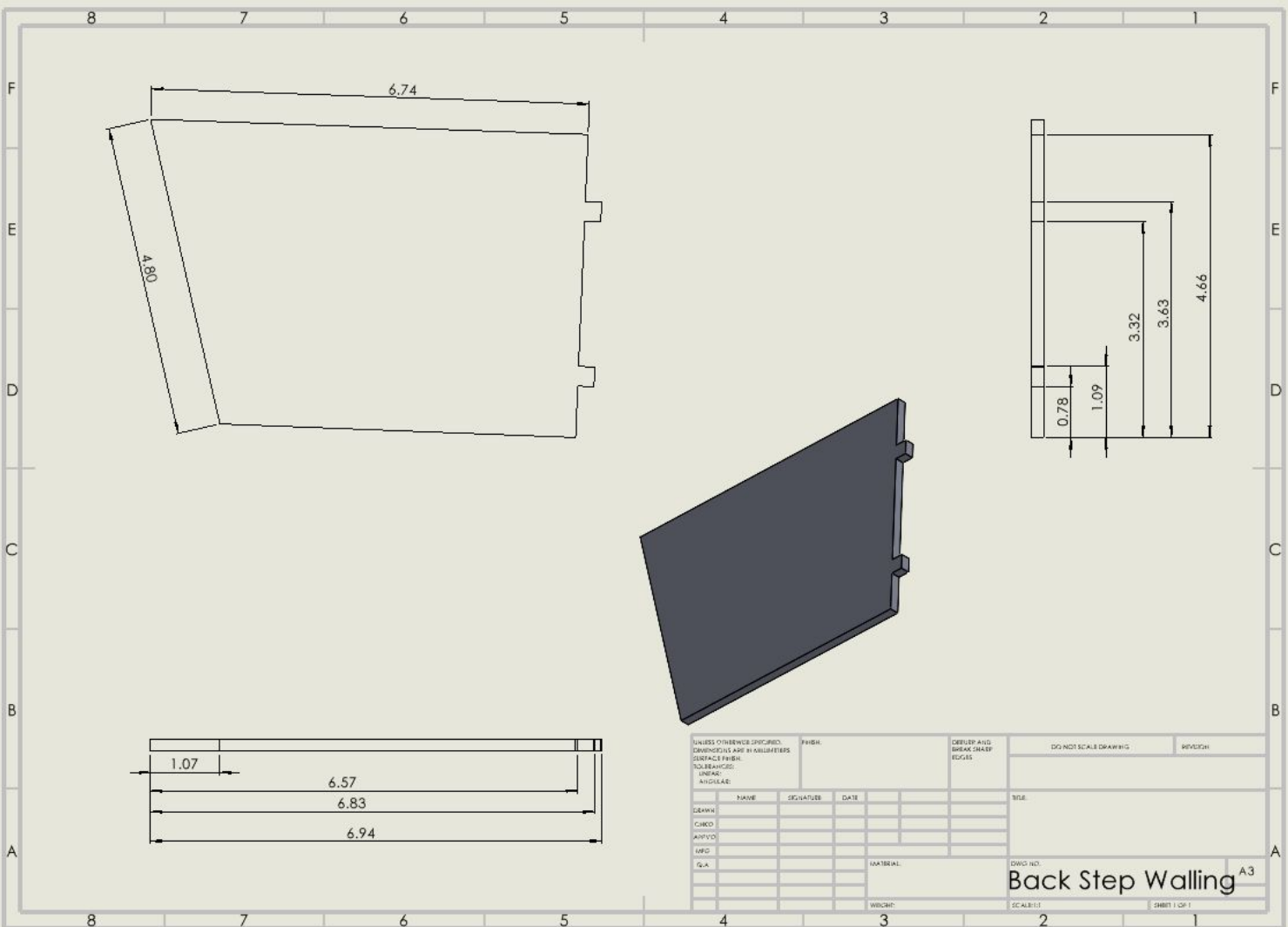
A3



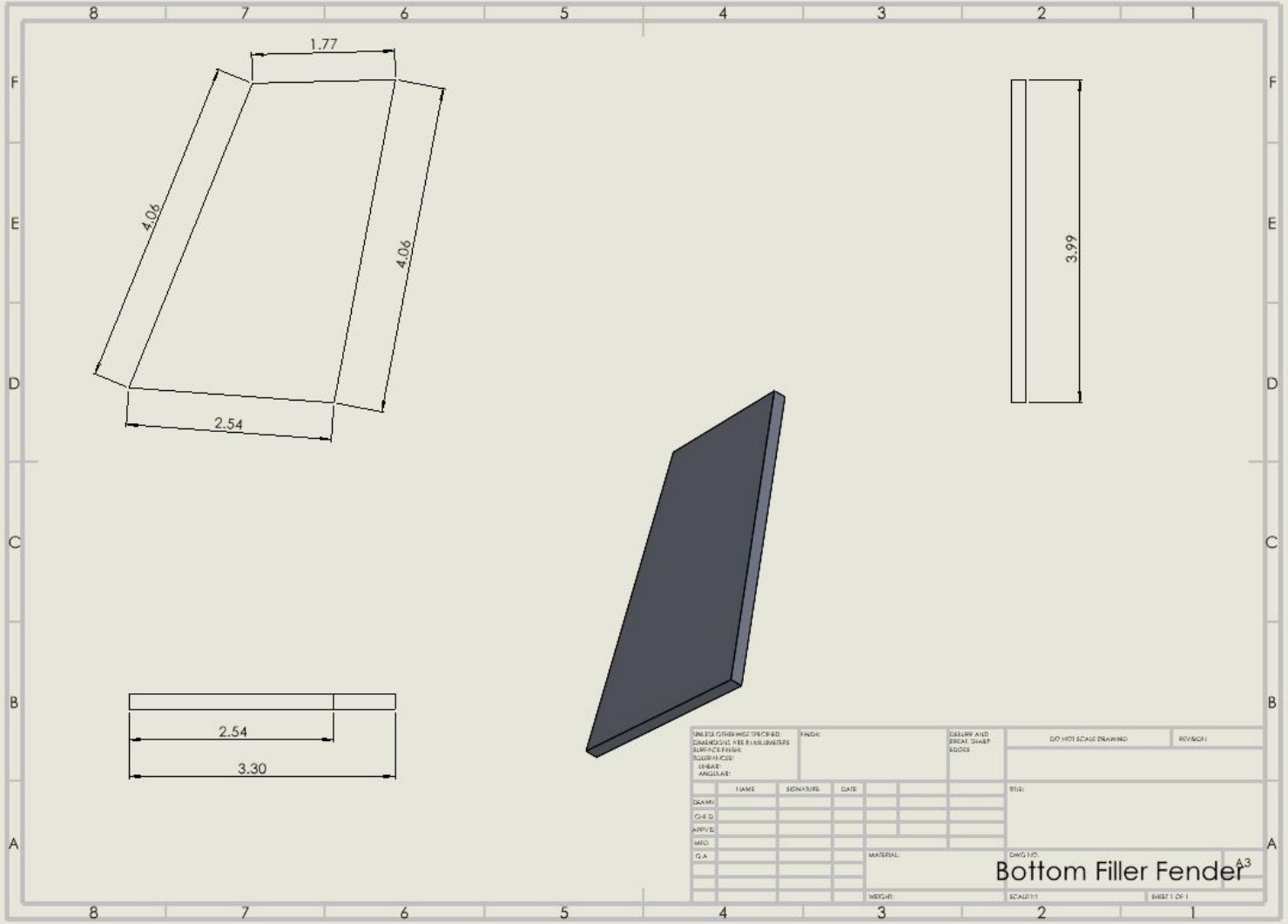
UNLESS OTHERWISE SPECIFIED: DIMENSIONS ARE IN MILLIMETERS SURFACE FINISH: TOLERANCES: LINEAR: ANGULAR:			FINISH:	DEBURR AND EDGE SHARP EDGES	DO NOT SCALE DRAWING	REVISION:
DATE:	NAME:	SIGNATURE:	DATE:	TITLE:		
C.H.D.						
APP'D						
MFG						
G.A.						
			MATERIAL:	DWG. NO. Undercover End Filler ^{A3}		
			WEIGHT:	SCALE: 1:1		
				SHEET 1 OF 1		



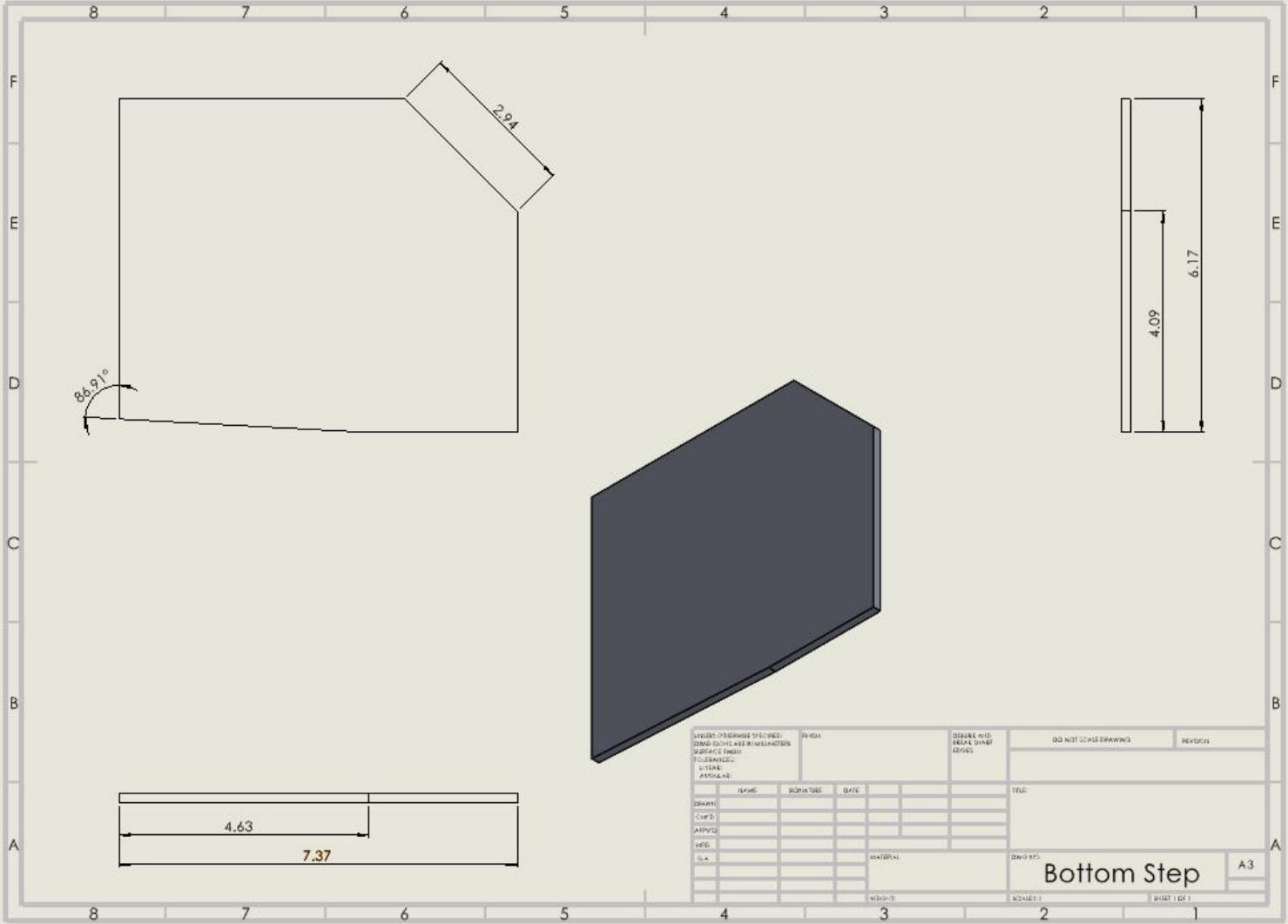
UNLESS OTHERWISE SPECIFIED: DIMENSIONS ARE IN MILLIMETERS		FINISH:		DRESS AND BREAK SHARP EDGES		DO NOT SCALE DRAWING		REVISION	
SURFACE FINISH: SERRATED; DIE-CAST; ANGULAR:									
DESIGN:	NAME	SIGNATURE	DATE			BILL:			
CHFD:									
APPRO:									
INFO:									
CLA:									
	MATERIAL:				DWG. NO. Side Fenders		A3		
	WEIGHT:				SCALE 1:1		SHEET 1 OF 1		



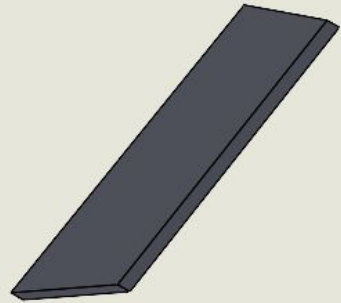
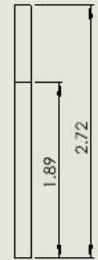
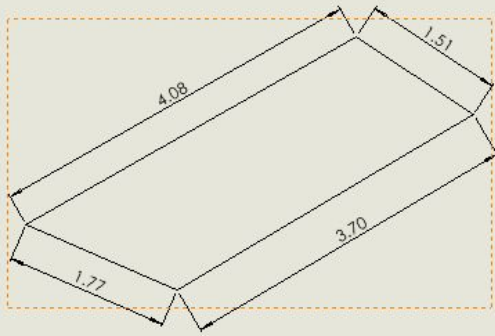
UNLESS OTHERWISE SPECIFIED, DIMENSIONS ARE IN MILLIMETERS SURFACE FINISH: TOLERANCES: LINEAR: ANGULAR:	FINISH:		DIRECTION AND BREAK SHARP EDGES:		DO NOT SCALE DRAWING		REVISION:
	DATE	SIGNATURE	DATE	SIGNATURE	TITLE:		
DESIGN					Back Step Walling ^{A3} SCALE: 1:1 SHEET 1 OF 1		
CHIEF							
APP'VD							
ENG							
G.A.							
			MATERIAL:				
			WELDED:				



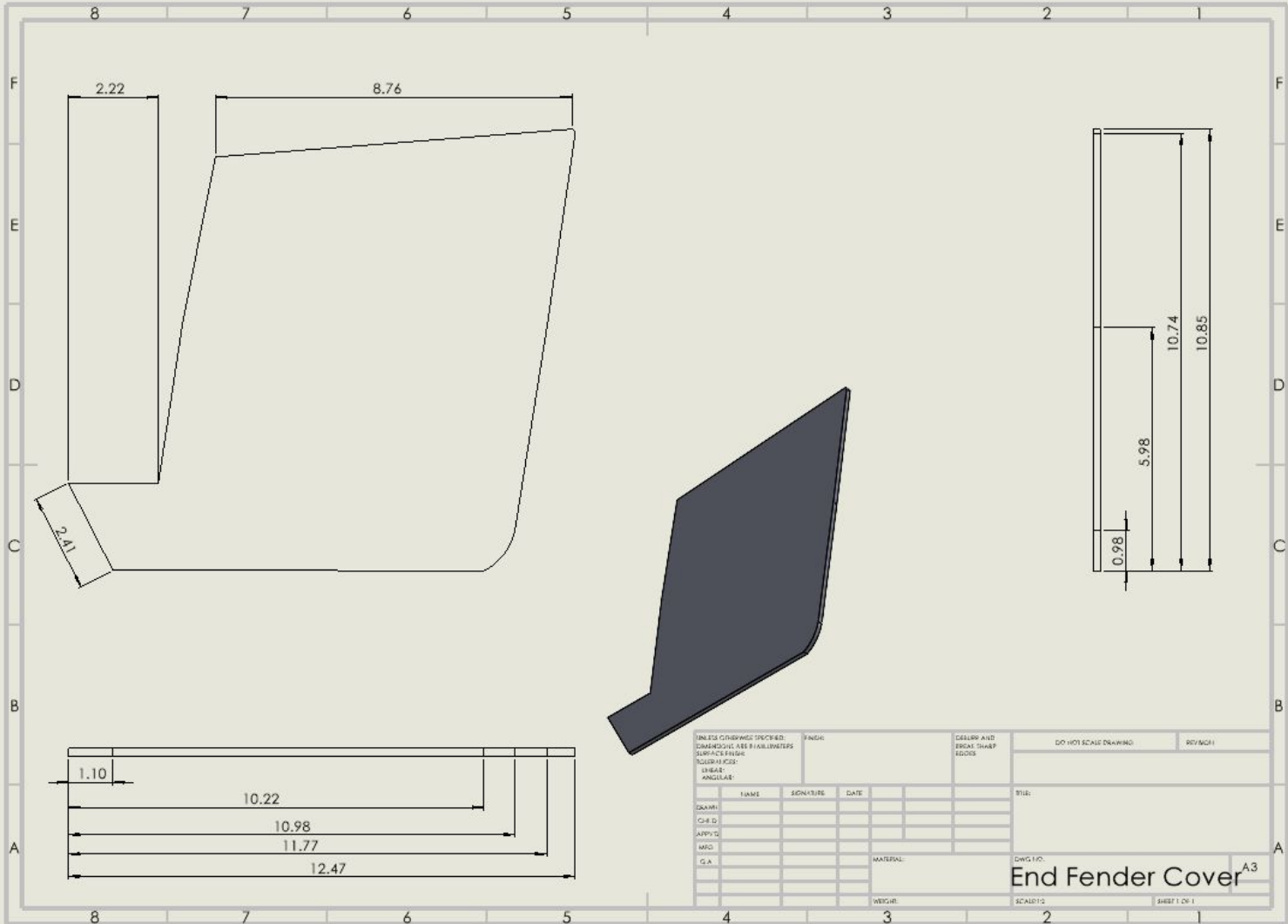
UNLESS OTHERWISE SPECIFIED:		FINISH:		DIMENSIONS AND HOLE SHAPES UNLESS NOTED		DO NOT SCALE DRAWING		REVISED	
DIMENSIONS ARE IN MILLIMETERS									
SURFACE FINISH:									
TOLERANCES:									
LINEAR:									
ANGULAR:									
DRAWN:	NAME	SIGNATURE	DATE			TITLE:			
CHEK'D:									
APPROV'D:									
INFO:									
Q.A.									
				MATERIAL:		DWG. NO.:		Bottom Filler Fender ^{A3}	
				WEIGHT:		SCALE: 1:1		SHEET 1 OF 1	



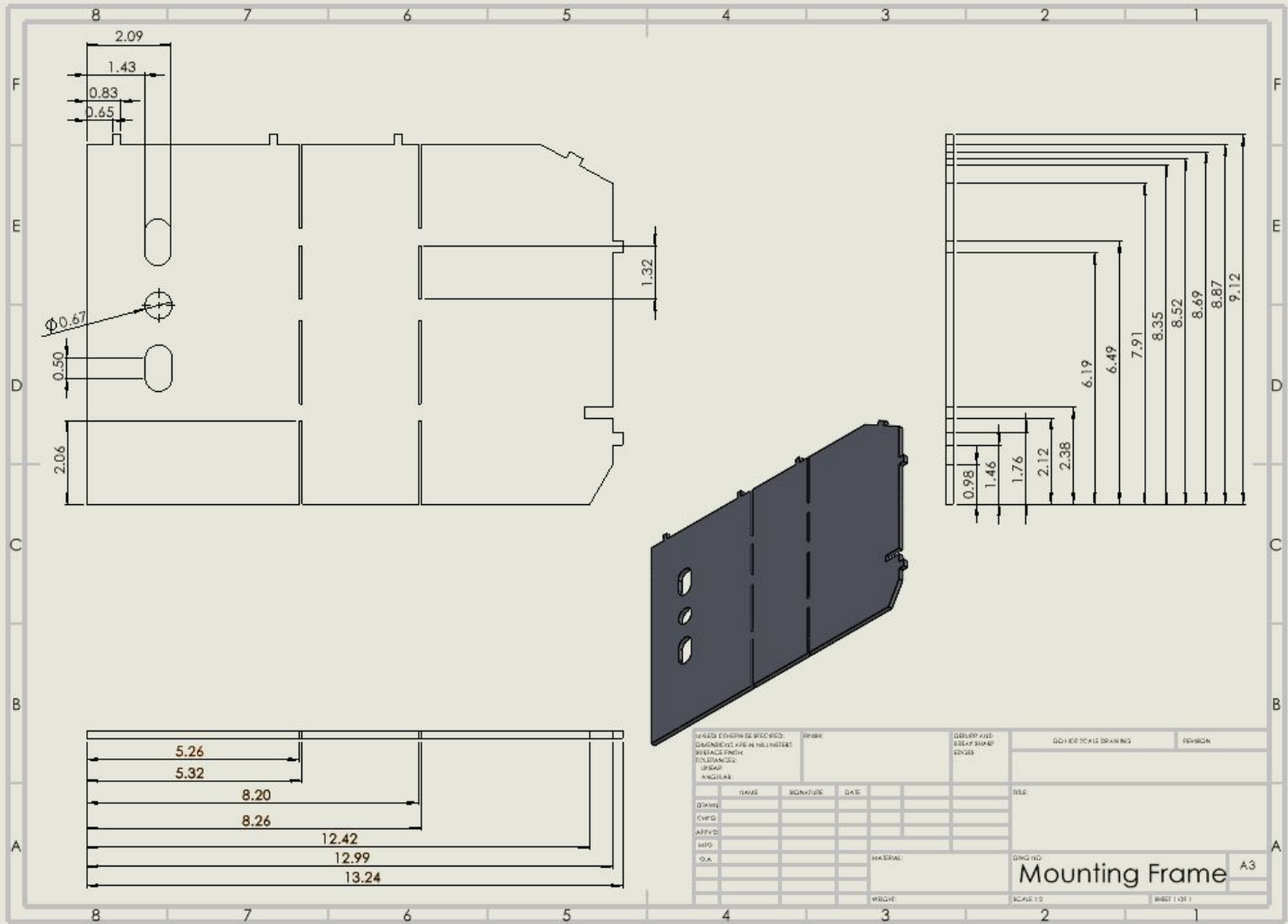
UNLESS OTHERWISE SPECIFIED:		FINISH	DESURE AND RELA SHARP EDGES	DO NOT SCALE DRAWING	REVISION
DIMENSIONS ARE IN MILLIMETERS					
SURFACE FINISH					
TOLERANCES:					
FRACTIONS					
DECIMALS					
DATE	BY	CHECKED	DATE	TITLE	
DRW				Bottom Step	A3
CHK					
APP					
DES					
DWG					
MATERIAL			DWG NO.	SCALE	
METHOD			SHEET 1 OF 1		



UNLESS OTHERWISE SPECIFIED: DIMENSIONS ARE IN MILLIMETERS SURFACE FINISH: CLEAR ANGLE:				FINISH:	DESIGN AND DRAWN BY:	DO NOT SCALE DRAWING	REV/ACH
DRAWN:				DATE:	TITLE:		
CHK'D:				DATE:	TITLE:		
APP'D:				DATE:	TITLE:		
MFG:				DATE:	TITLE:		
QA:				DATE:	TITLE:		
				MATERIAL:	DWG NO.:		
				WEIGHT:	Inner Top Fender A3		
					SCALE: 1:1		
					SHEET 1 OF 1		

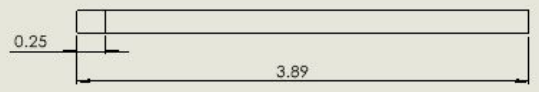
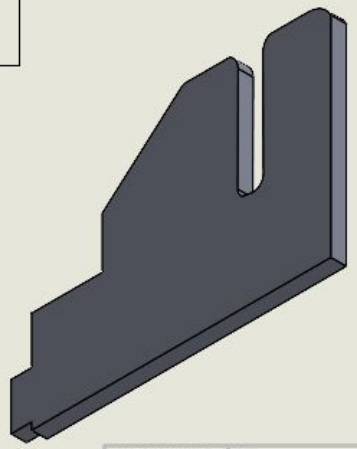
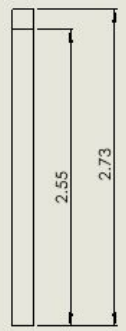
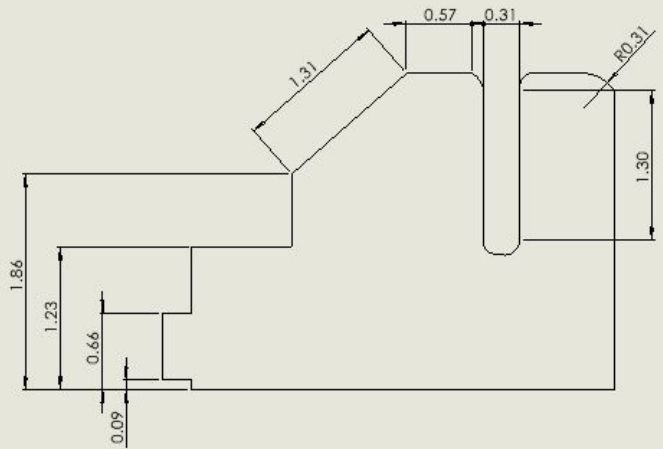


UNLESS OTHERWISE SPECIFIED: DIMENSIONS ARE IN MILLIMETERS SURFACE FINISH: TOLERANCES: DIMENSIONS: ANGLES:			FINISH:		CUTTERS AND BRICK SHARP EDGES		DO NOT SCALE DRAWING		REVISED		
DESIGN:	NAME	SIGNATURE	DATE			TITLE:					
CHEK:						DWG NO: End Fender Cover ^{A3}					
APP'D:											
MAT:											
C.A.:											
						MATERIAL:		SCALE: 1:1		SHEET 1 OF 1	
						WEIGHT:					



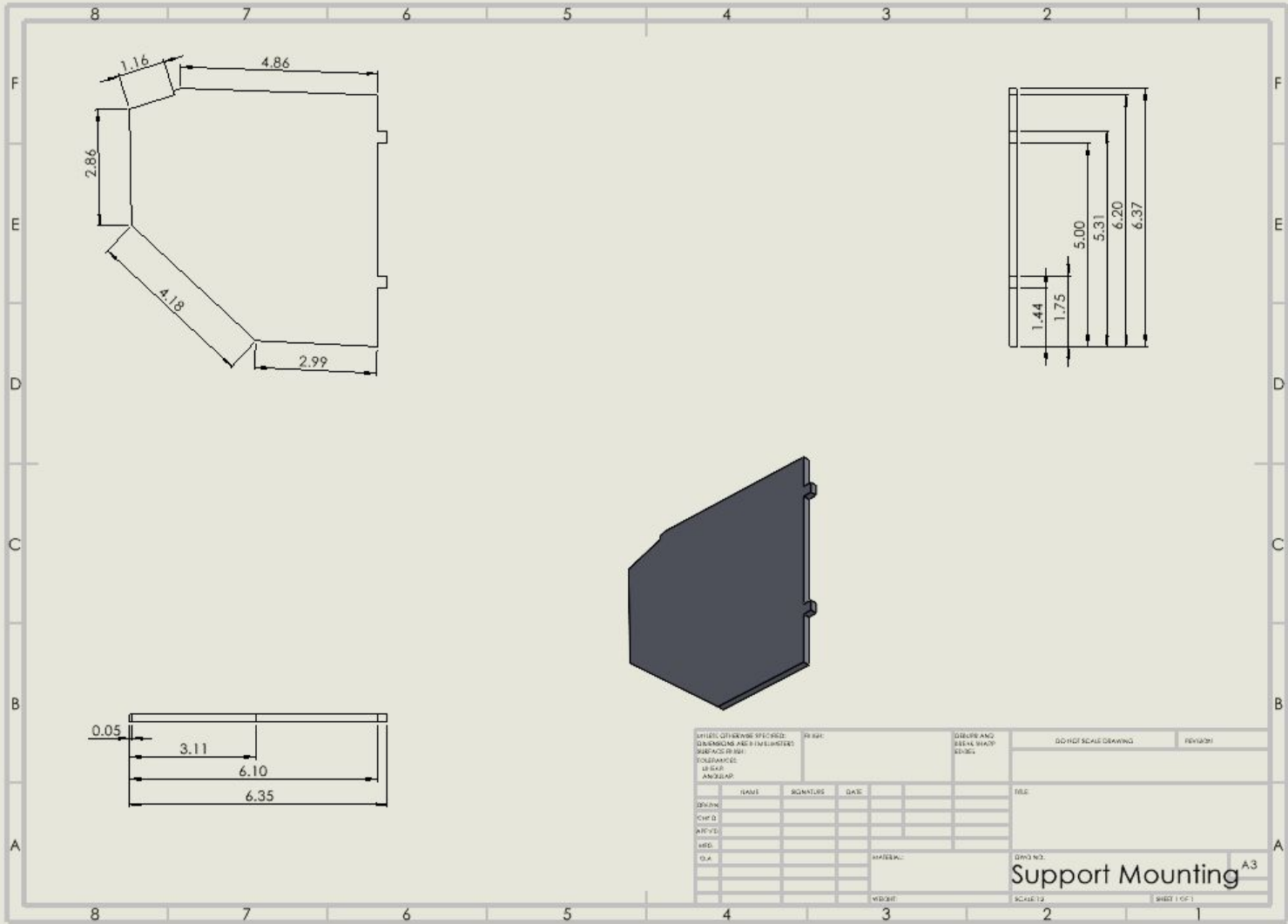
UNITS: ENGINEERING SPECIFIC DIMENSIONS ARE IN MILLIMETERS DECIMALS FROM TOLERANCES: DIMS: ANGULAR		DRAFTER AND CHECK SHARP EDGES	CHECK SCALE DRAWING	REVISION
DWG NO. CWPD APPVD MFG QA	NAME SIGNATURE DATE	DATE	TITLE	PART NO.
MATERIAL		WEIGHT	SCALE 1:1	SHEET 1 OF 1

DRG NO. **Mounting Frame** A3



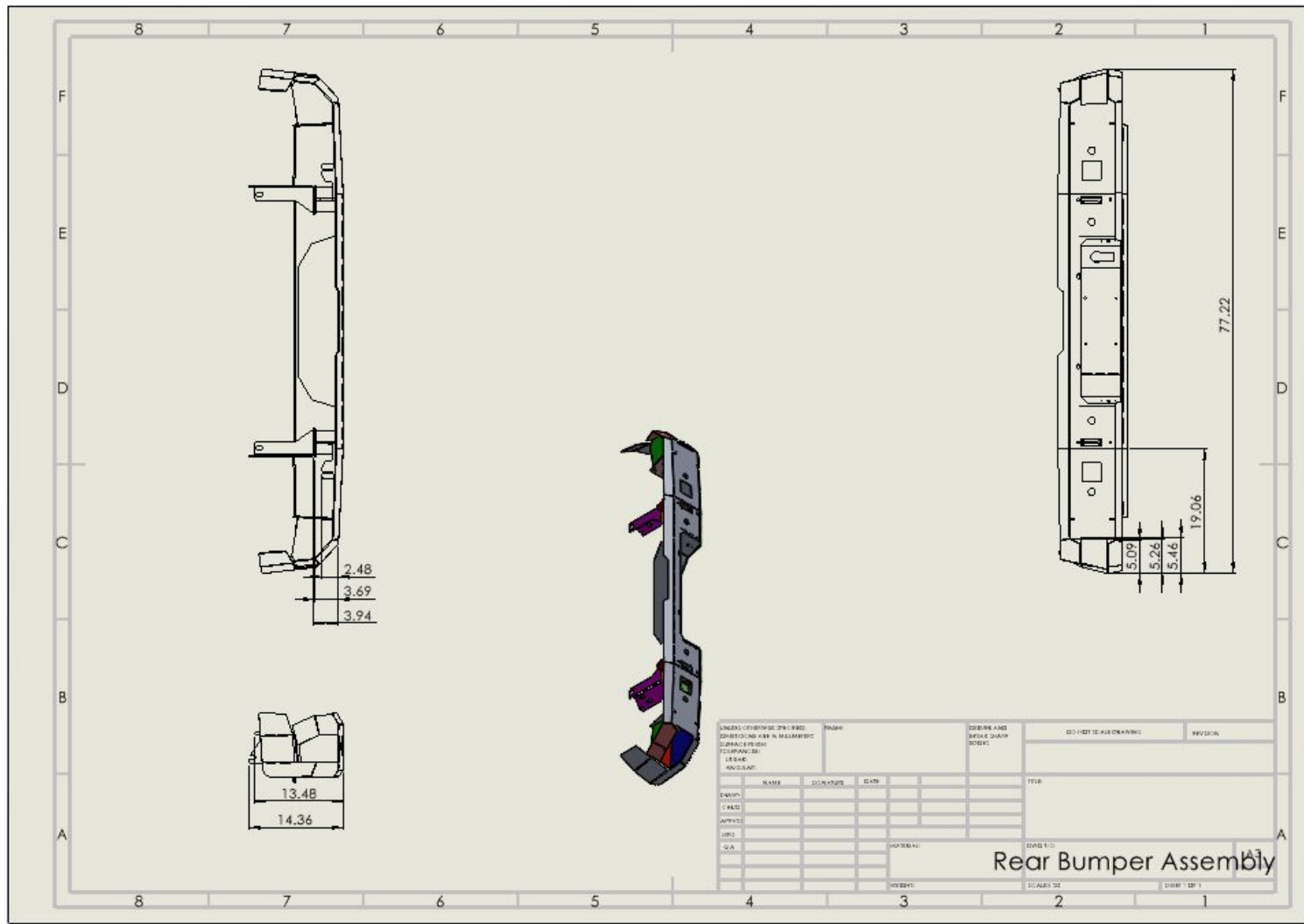
IF A DIMENSION IS SPECIFIED, DIMENSIONS ARE IN MILLIMETERS UNLESS OTHERWISE SPECIFIED		FINISH:	DEBURR AND BREAK SHARP EDGES	DO NOT SCALE DRAWING	REVISED
SURFACE FINISH: SQUARE ROOTS					
LENGTH: ANGULAR:					
DATE:	NAME:	SECURITY:	DATE:	Dwg. No.	
CHKD:				Title	
APP'VD:				Scale	
MFG:				Sheet 1 of 1	
D.A.				Material	
				Weight	

Mounting Stabilizer^{A3}



UNLESS OTHERWISE SPECIFIED: DIMENSIONS ARE IN MILLIMETERS SURFACE FINISH TOLERANCES UNLESS ANGULAR		DRG. NO.	DATE	DESIGN AND CHECK SHEET SCALE	DO NOT SCALE DRAWING	REVISION
DESIGN	NAME	SIGNATURE	DATE		TITLE	
CHK'D						
APP'VD						
MFG.						
D.A.				MATERIAL:		
				WIDTH:		
					DRG. NO.	
					Support Mounting ^{A3}	
					SCALE: 1:1	SHEET 1 OF 1

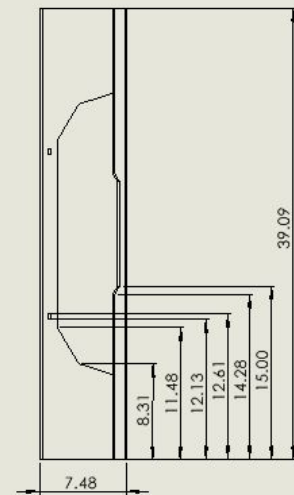
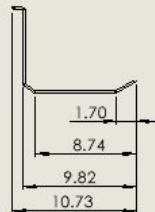
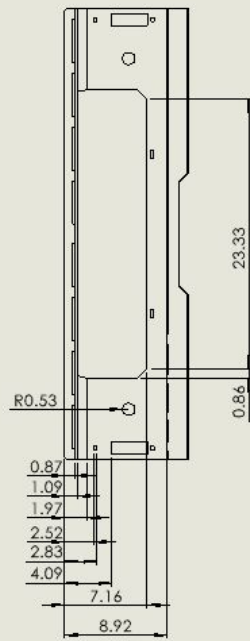
Next is Cesar's Rear CAD Drawings



UNISO OVERSEAS PVT. LTD.		PROJECT		DESIGN AND		DATE		REVISION	
ENGINEERING AND N. MALLABICHI				DRAWING					
2000000000				NO.					
1000000000				REV.					
1000000000				DATE					
1000000000				BY					
1000000000				CHKD.					
1000000000				APPV.					
1000000000				DRG.					
1000000000				QA					
				MATERIAL					
				METHOD					
				DRAWN BY					
				SCALE					
				SHEET NO.					
				TOTAL SHEETS					

Rear Bumper Assembly

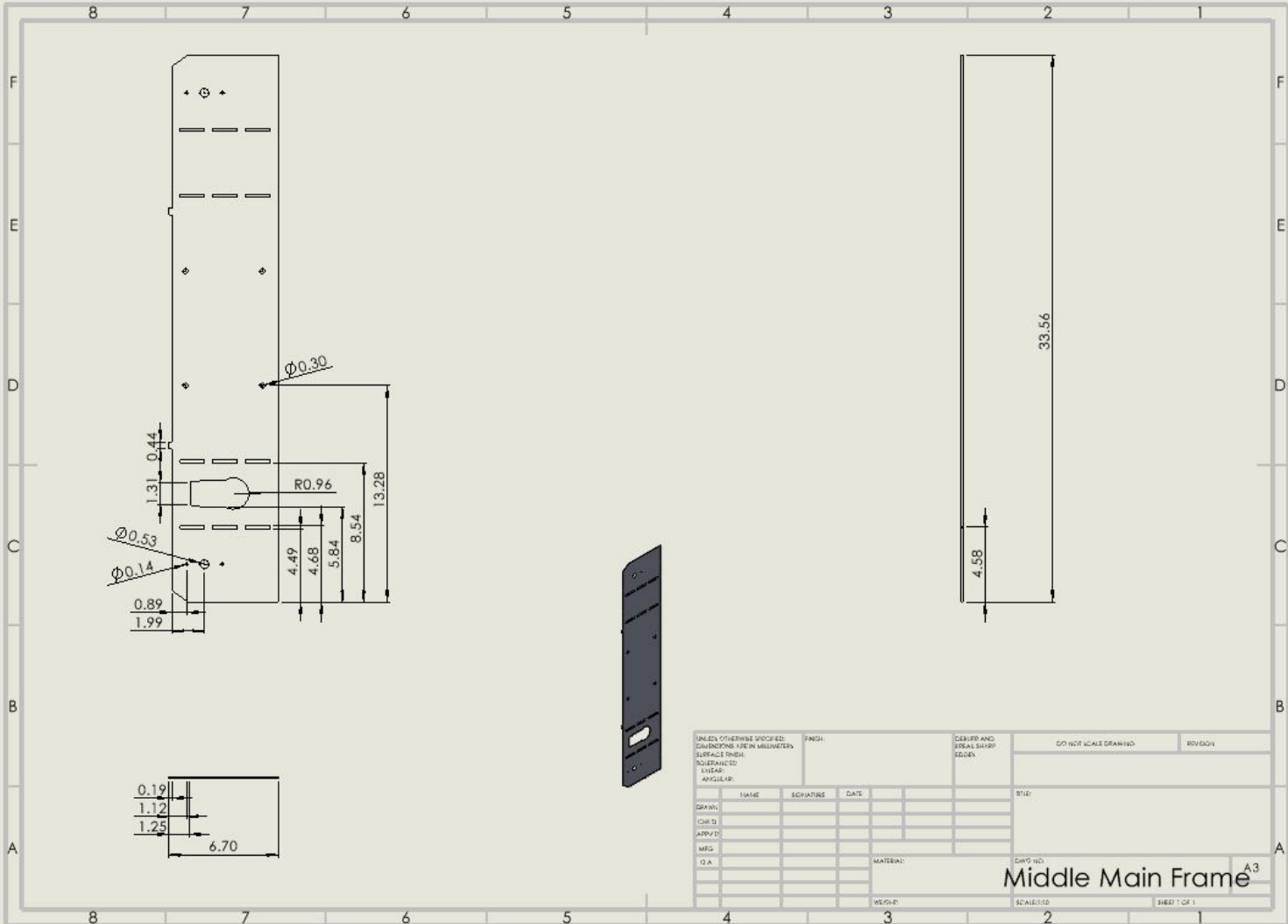
1/1



UNLESS OTHERWISE SPECIFIED: DIMENSIONS ARE IN MILLIMETERS SURFACE FINISH TOLERANCES: FRACTIONS: DECIMALS: ANGULARS:			PRICE:	COLOR AND SPRINT SHARP EDGES:	DO NOT SCALE DRAWING	REVISION
DATE:	NAME:	SIGNATURE:	DATE:	TITLE:		
CHFD:						
APPRV:						
ENG:						
G.A.:						
MATERIAL:			DWG. NO.:		A3	
WEIGHT:			SCALE 1:1		SHEET 1 OF 1	

Front Mont

A3

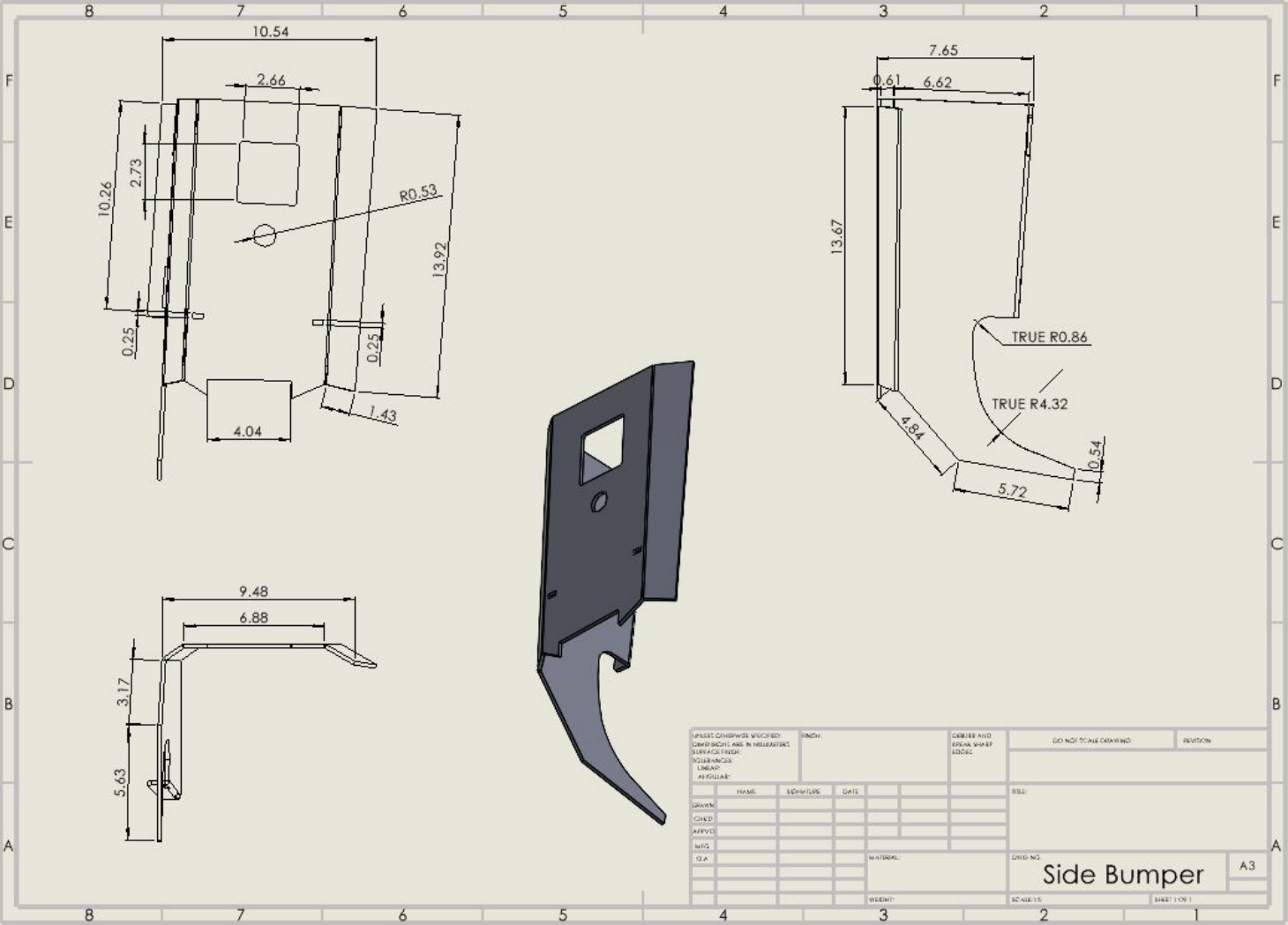


UNLESS OTHERWISE SPECIFIED:
 DIMENSIONS ARE IN MILLIMETERS
 SURFACE FINISH:
 SQUARE:
 LINEAR:
 ANGULAR:

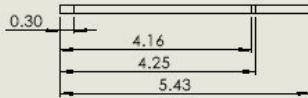
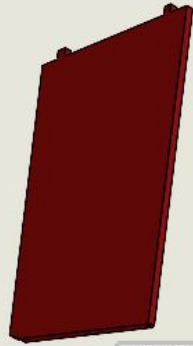
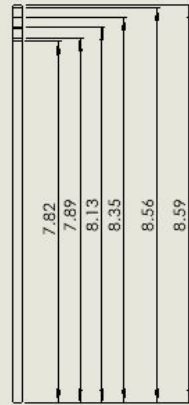
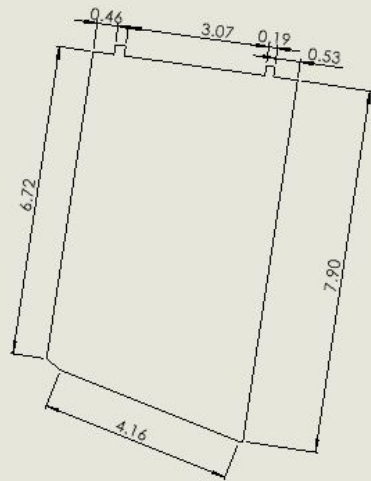
NAME	SIGNATURE	DATE
DRAWN		
CHK'D		
APP'D		
MFG		
Q.A.		

FINISH	DESIGN AND DETAIL SHARP EDGES	DO NOT SCALE DRAWING	REVISION

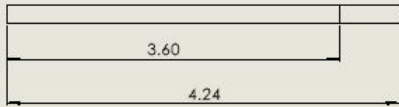
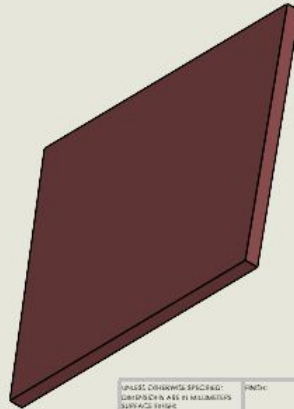
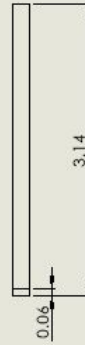
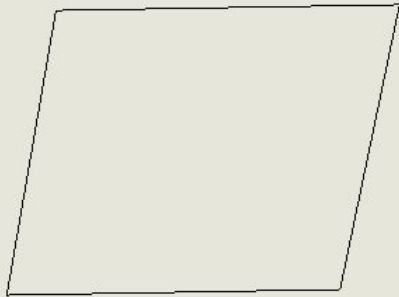
DWG NO. **Middle Main Frame** ^{A3}
 SCALE: 1:1
 SHEET 1 OF 1



UNLESS OTHERWISE SPECIFIED: DIMENSIONS ARE IN MILLIMETERS SURFACE FINISH: SEQUENCES LINEAR AS SHOWN			FINISH:	DRILLER AND SERIAL NUMBER EDGE:	DO NOT SCALE DRAWING	REVISION
DRAWN:	NAME	SCHEDULE	DATE		BILL:	
CHECKED:						
APPROVED:						
DATE:						
Q.A.						
	MATERIAL:				GRID NO.	
	WEIGHT:				Side Bumper	A3
					SCALE IS	SHEET 1 OF 1

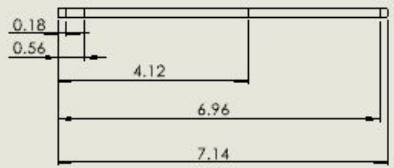
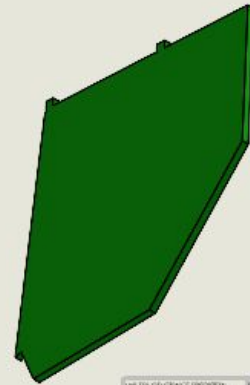
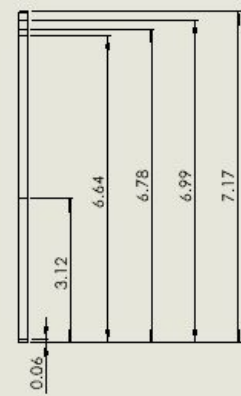
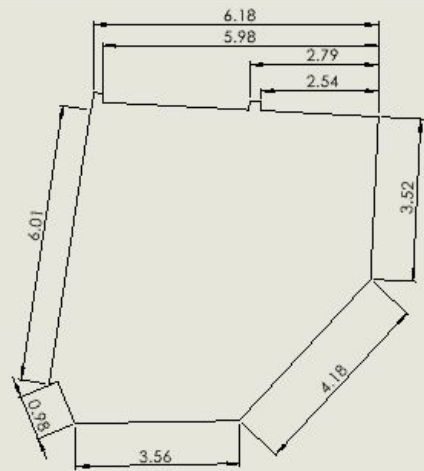


UNLESS OTHERWISE SPECIFIED: DIMENSIONS ARE IN MILLIMETERS SURFACE FINISH UNLESS SPECIFIED CLEAR ANGLE/SP			FINISH:	CARRIER AND BREAK GROUP SECTORS	DO NOT SCALE DRAWING	REVISION
DRAWN:	NAME	SIGNATURE	DATE	TITLE:		
CHK'D:				DWTG NO.		
APP'D:				Back Step Walling ^{A3}		
MFG:				SCALE: 1		
QA:				SHEET 1 OF 1		
				MATERIAL:		
				WEIGHT:		



UNLESS OTHERWISE SPECIFIED: DIMENSIONS ARE IN MILLIMETERS SURFACE FINISH DIM FINISHES: LINEZ APPROVAL:	UNIT:	DRAWN AND ENGINEER SHARP ECCLES	DO NOT SCALE DRAWING	VISION
DATE:	SIGNATURE:	DATE:	TITLE:	
DRAWN:				
CHECKED:				
APPROVED:				
DATE:				
		MATERIAL:	DWG NO.	
		WEIGHT:	SCALE:	SHEET 1 OF 1

Back Undercover Step ⁴³

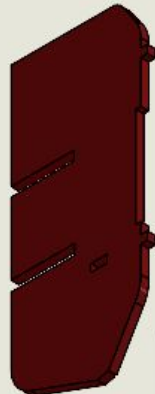
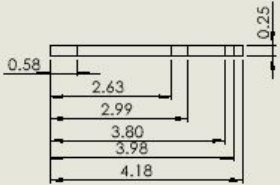
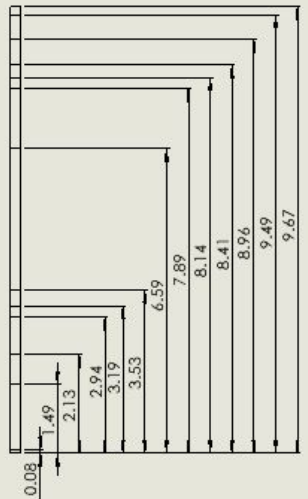
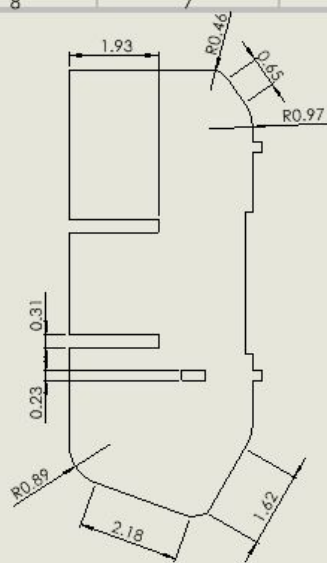


THE SA FINGERPRINTS SPECIFIED DIMENSIONS ARE IN MILLIMETERS UNLESS OTHERWISE SPECIFIED FOLLOWING IS THE CLEAR ANGLE:				TITLE:	DATE:	DRAWN BY:	CHECKED BY:	DATE:	SCALE:	SHEET NO. OF:
DRAWN:	NAME:	JOB:	DATE:	FILE:	DATE:	DRAWN BY:	CHECKED BY:	DATE:	SCALE:	SHEET NO. OF:
C. NO.										
APPROV.										
ENG.										
D.A.										

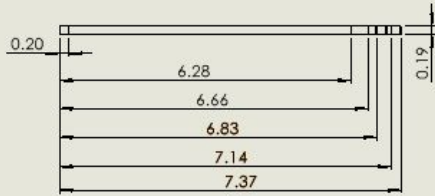
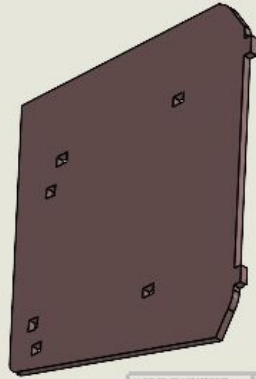
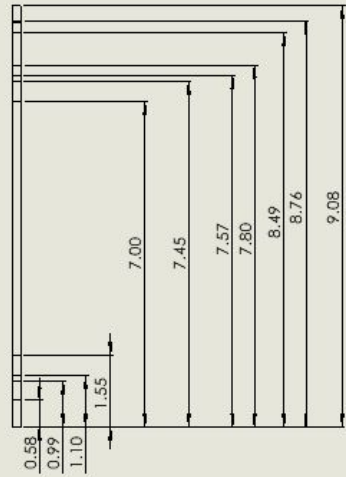
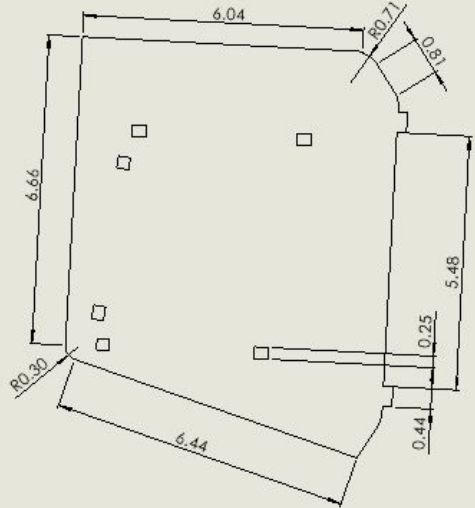
Base Step

A3

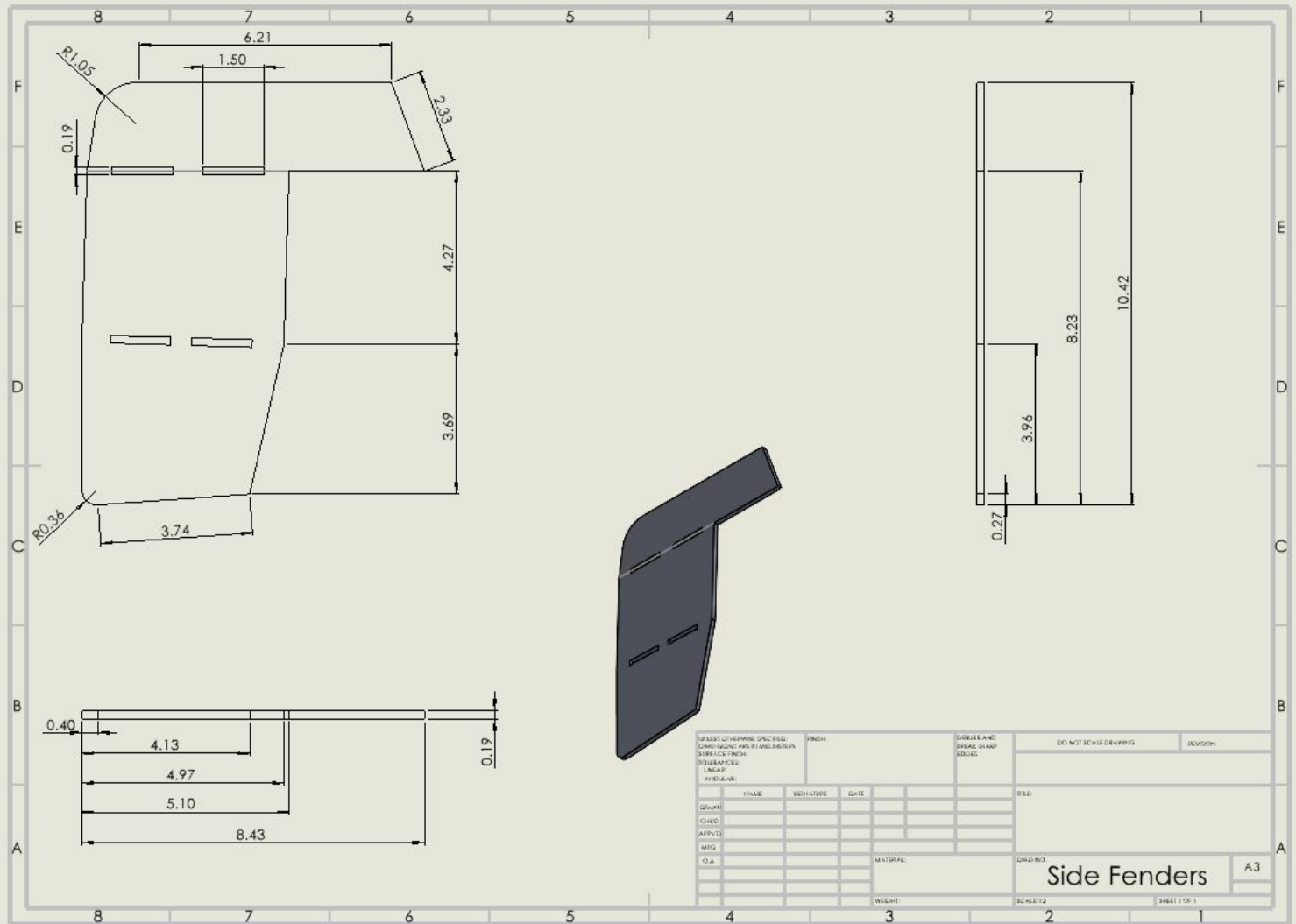
SHEET 1 OF 1



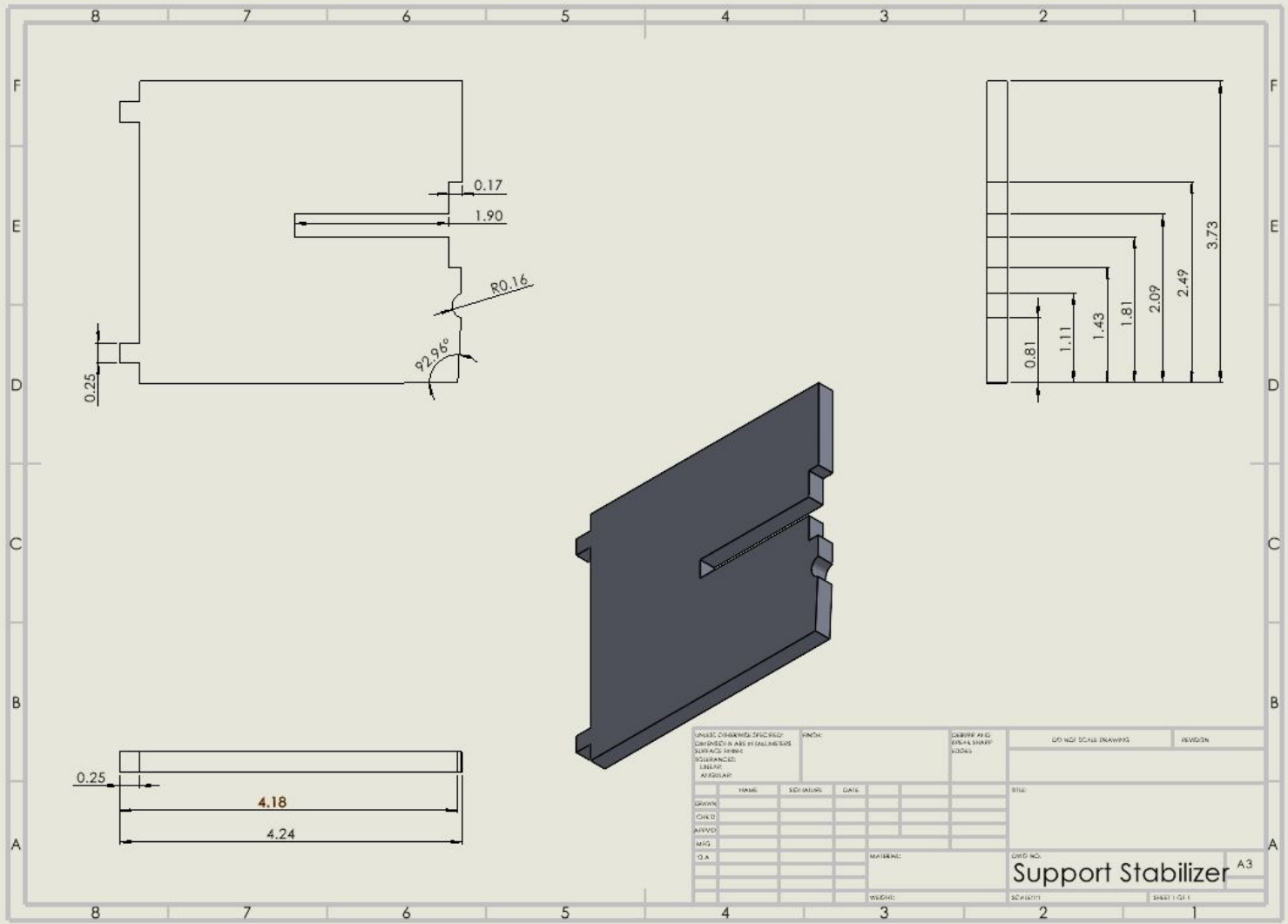
STUDIOS CREATIVES SPECIFIED:		PROJ:	DIBBER AND		DO NOT SCALE DRAWING		REVISION:
DIBBER AND		REEL SHARP					
REWORK SPEC:		TOLERANCES:					
DIBBER AND							
ANGULAR:							
DATE:	SIGNATURE:	DATE:		FILE:			
DRWNG:							
CHK'D:							
APP'D:							
HSD:							
O.A.:							
MATERIAL:		DWO NO.:		Bumper Support		A3	
WEIGHT:		SCALE:		SHEET 1 OF 1			



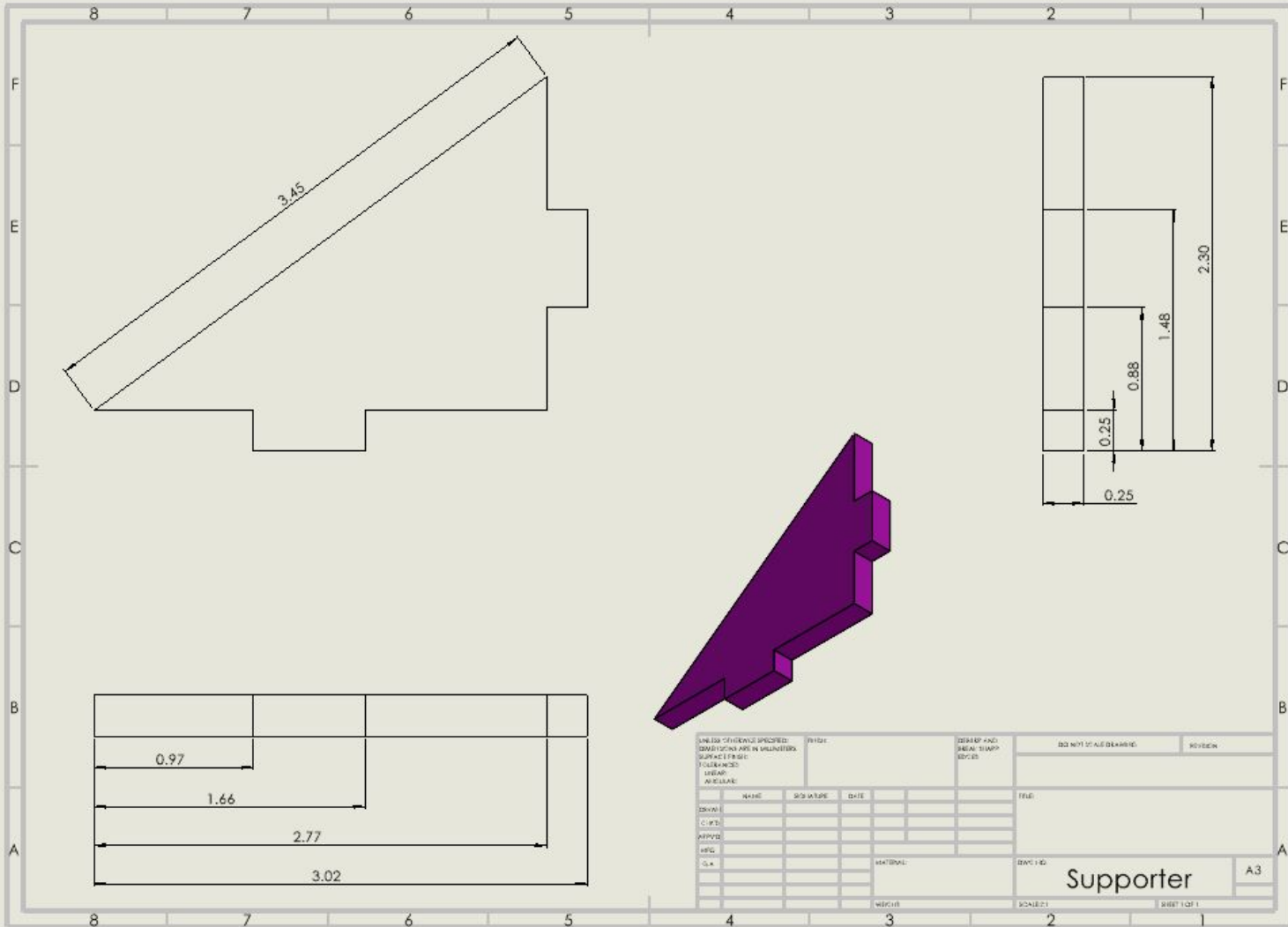
UNLESS OTHERWISE SPECIFIED: DIMENSIONS ARE IN MILLIMETERS SURFACE FINISH TOLERANCES FINISHES			FINISH	CORNER AND EDGE SHARP EDGES	DO NOT SCALE DRAWING	ISSUE NO.
DRAWN			NAME	SIGNATURE	DATE	SCALE
CHECKED			DATE			
APPROVED			DATE			
MFG			DATE			
D.A.			DATE			
MATERIAL:			DRAWING NO.			
WEIGHT:			Inner Step Walling ^{A3}			
SCALE:			SHEET 1 OF 1			

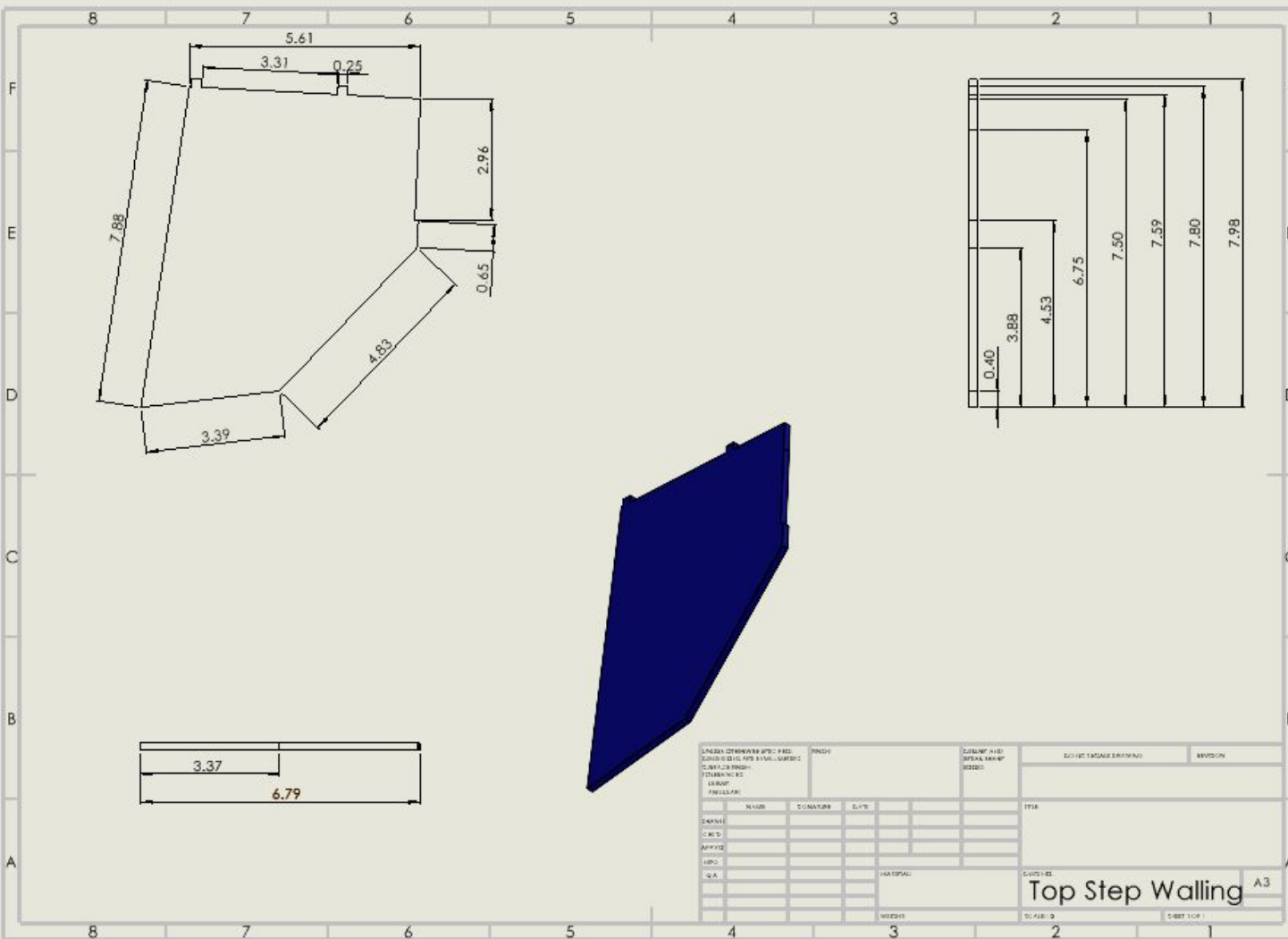


UNLESS OTHERWISE SPECIFIED: DIMENSIONS ARE IN MILLIMETERS SURFACE FINISH TOLERANCES: LENGTHS ANGLES			FINISH	DIMENSIONS AND SERIAL SHARP EDGES		DO NOT SCALE DRAWINGS	REVISION
DRAWN	NAME	SCHEDULE	DATE	TITLE			
CHECKED				DRG NO. Side Fenders A3 SCALE: 1:2 SHEET 1 OF 1			
APPROVED							
MFG							
D.A.							
	MATERIAL:						
	WEIGHT:						



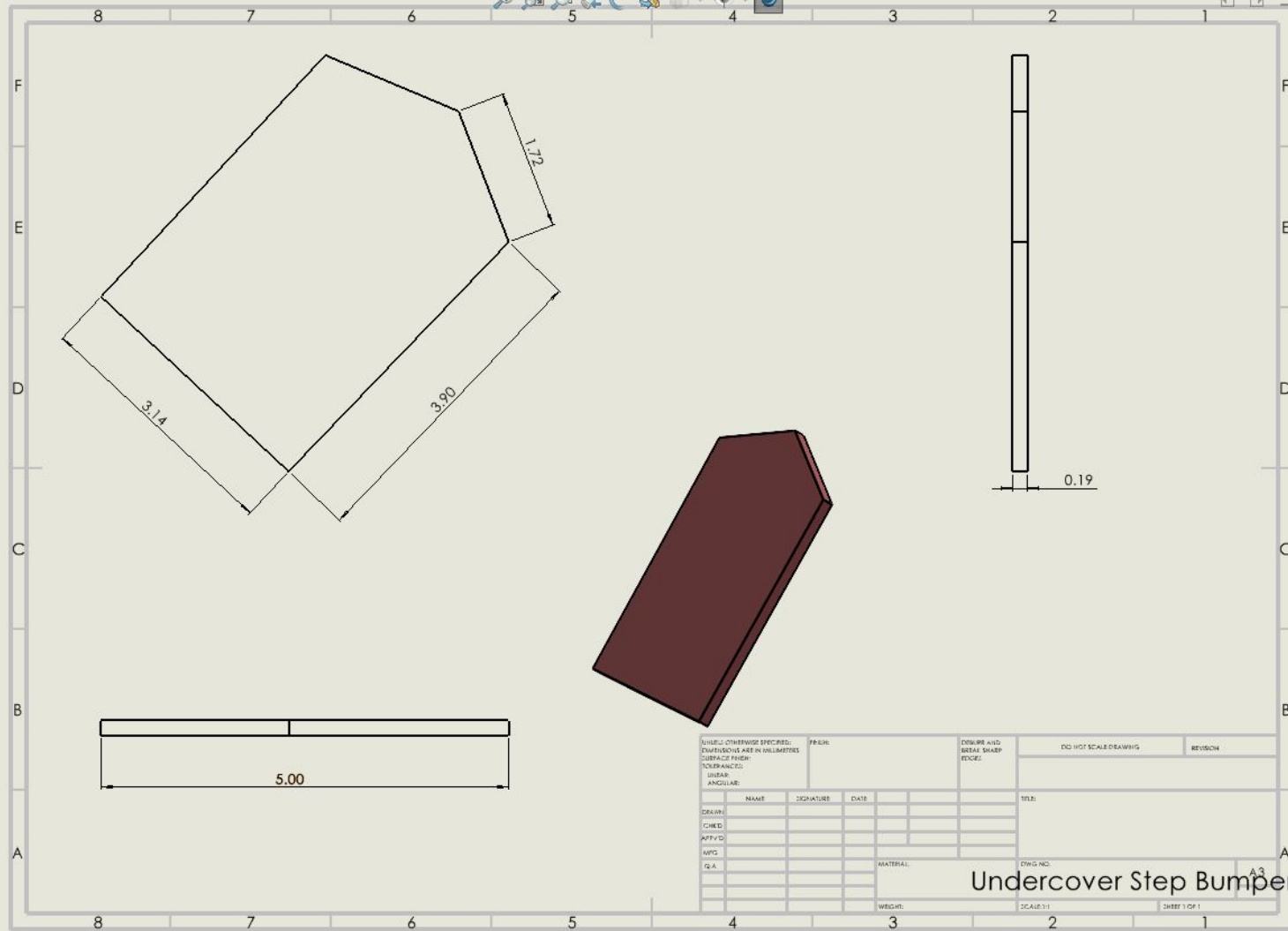
UNLESS OTHERWISE SPECIFIED: DIMENSIONS IN ARE IN MILLIMETERS SURFACE FINISH CLEARANCES: LINES: ANGULAR:		FINISH:	QUANTITY AND UNITAL SHAP SYMBOL	DO NOT SCALE DRAWING	REVISION
DRAWN:			DATE:		TITLE:
CHK'D:			DATE:		
APP'VD:			DATE:		
MFG:			DATE:		
D.A.:			DATE:		
MATERIAL:			DWG. NO.:		Support Stabilizer A3
WEIGHT:			SCALE:		
			SHEET 1 OF 1		





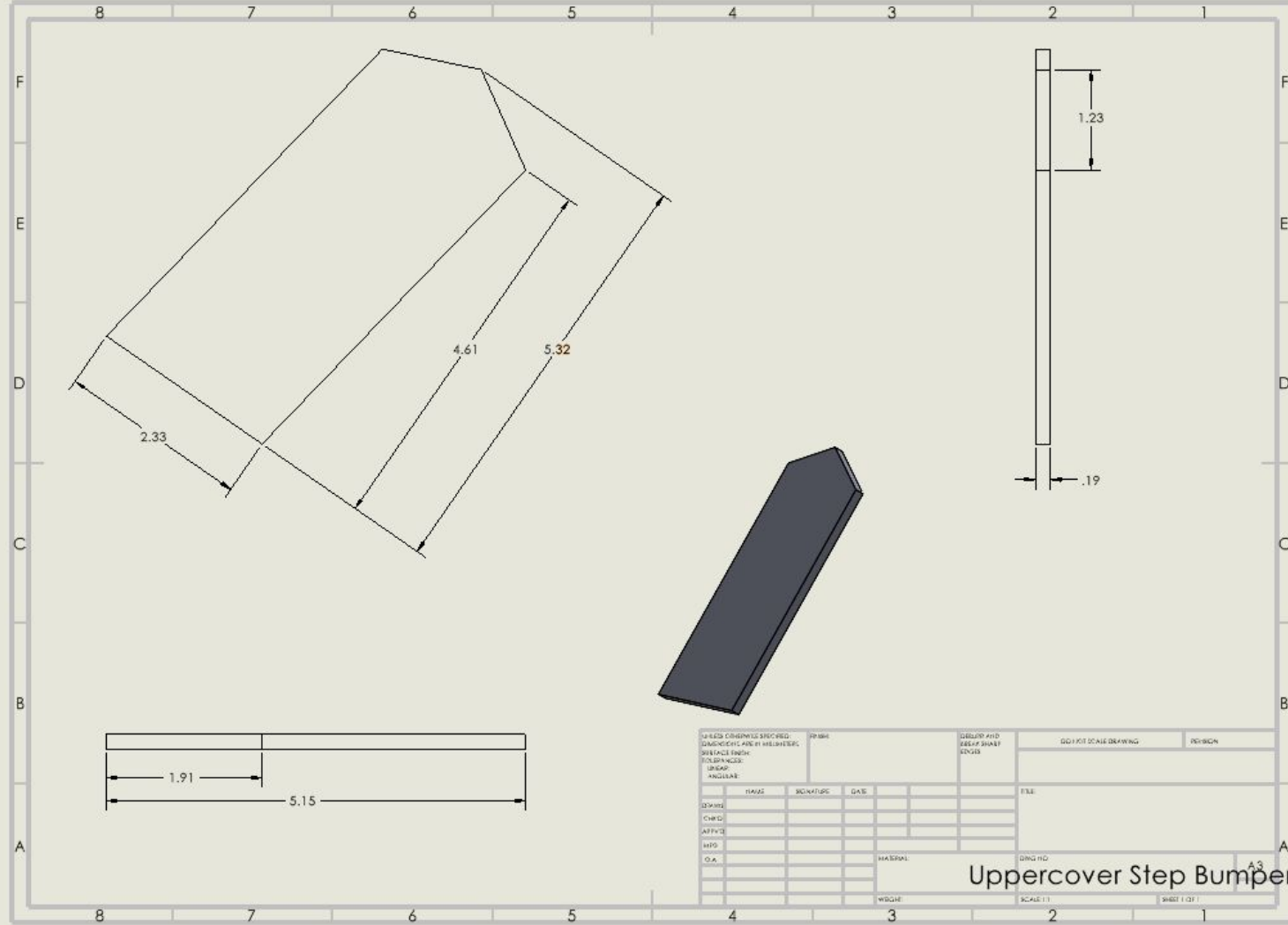
UNIVERSITY OF WASHINGTON		PROJECT	DATE	SCALE	BY	CHECKED	DATE
SCHOOL OF CIVIL & ENVIRONMENTAL ENGINEERING							
COURSE: CIVIL ENGINEERING							
STUDENT: [Name]							
PROFESSOR: [Name]							
TITLE							
DATE							
SCALE							
BY							
CHECKED							
DATE							
SCALE							
BY							
CHECKED							
DATE							

Top Step Walling A3



TOLERANCES UNLESS OTHERWISE SPECIFIED: DIMENSIONS ARE IN MILLIMETRES SURFACE FINISH			FINISH:	DWG. AND ISDRA. SHEET EDGE:	DID NOT SCALE DRAWING	REVISION
TOLERANCES: LINEAR: ANGULAR:						
DESIGN:	NAME	SIGNATURE	DATE	TITLE:		
CHECKED:						
APPROVED:						
MFG:						
Q.A.:						
				MATERIAL:	DWG. NO.:	
				WEIGHT:	SCALE: 1:1	SHEET 1 OF 1

Undercover Step Bumper A3



UNLESS OTHERWISE SPECIFIED:
DIMENSIONS ARE IN MILLIMETERS
DIMENSIONS IN INCHES
FINISH:
SURF.
ANGULAR:

	NAME	SIGNATURE	DATE	FILE
DESIGN				
CHK'D				
APP'D				
ENG				
D.A.				

ORDER AND
SHEET SHARP
EDGES

GRID SCALE DRAWING

PERISH

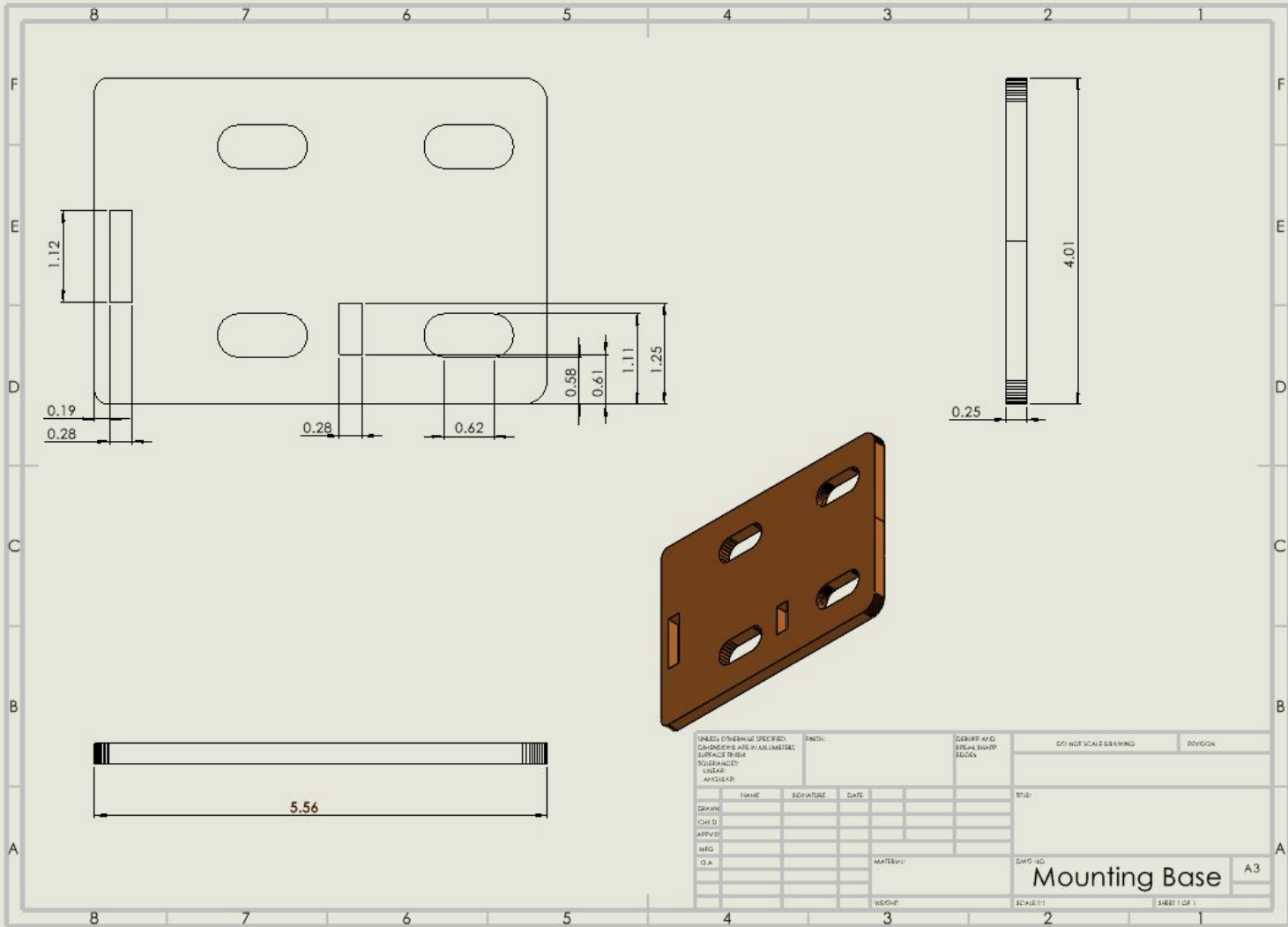
DRG NO.

SCALE: 1:1

SHEET 1 OF 1

A3

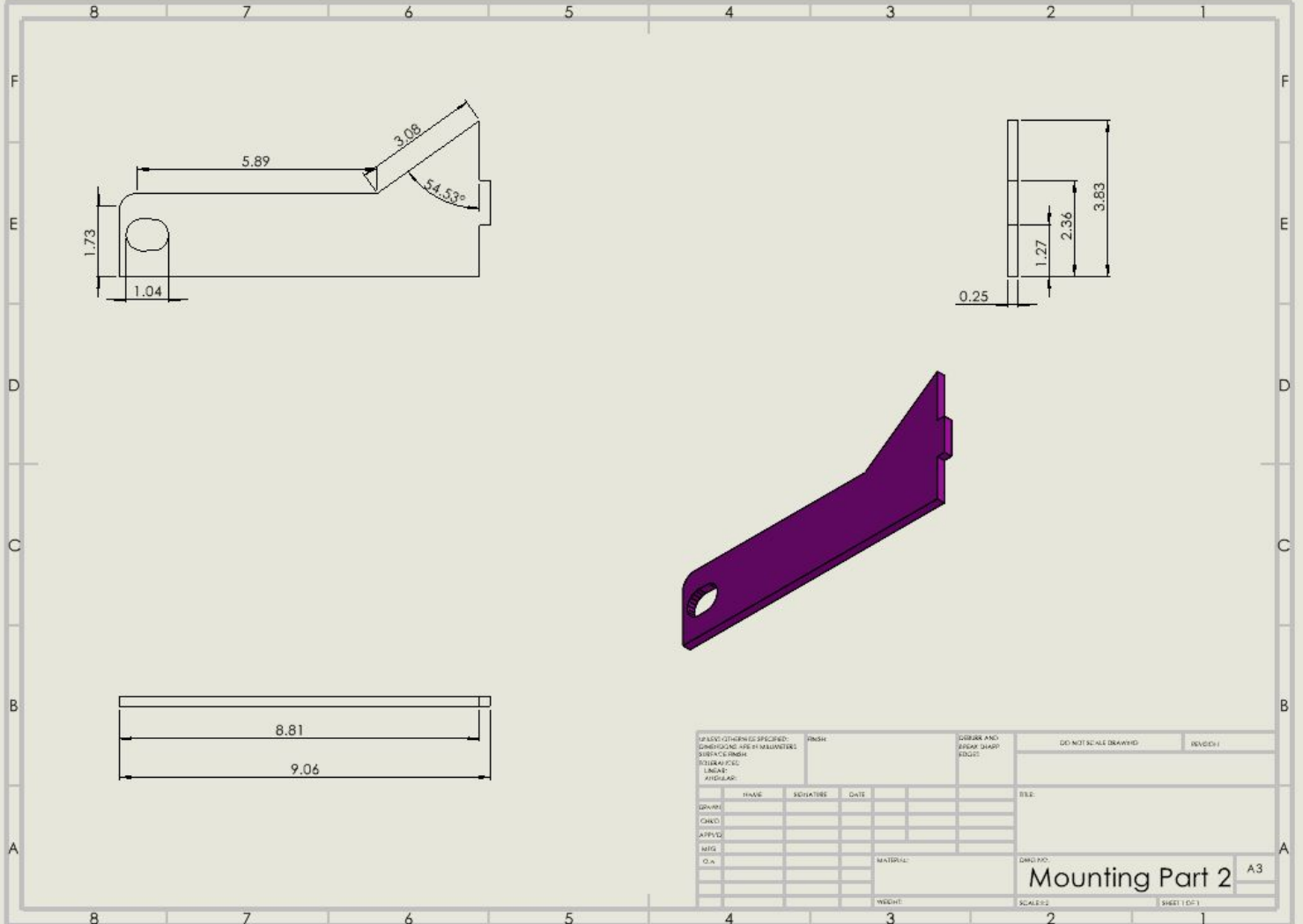
Uppercover Step Bumper



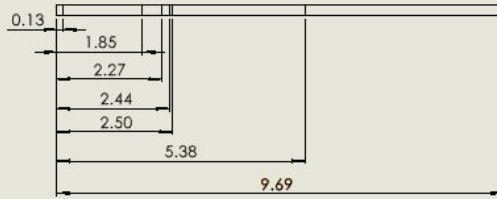
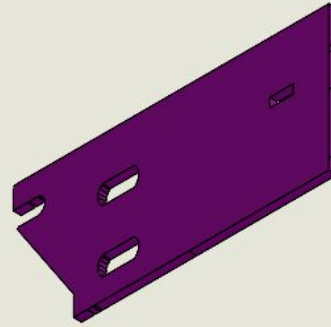
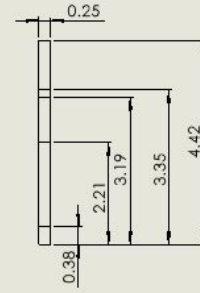
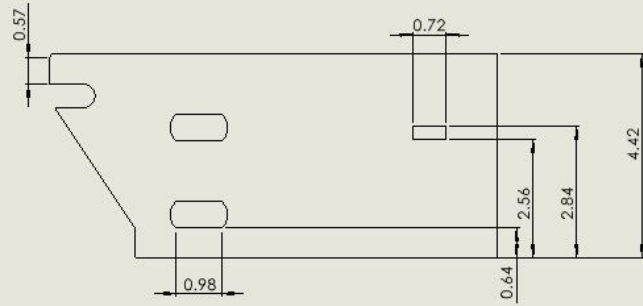
UNLESS OTHERWISE SPECIFIED: DIMENSIONS ARE IN MILLIMETERS SURFACE FINISH TOLERANCES: HOLE: ANGULAR			FINISH:	CORNER AND RICAL SHARP EDGES	DO NOT SCALE DRAWING	REVISION
DRAWN:	NAME:	SIGNATURE:	DATE:	TITLE:		
CHK'D:						
APPROV:						
MFG:						
QA:						
	MATERIAL:			DWG. NO.		
	WEIGHT:			SCALE: 1:1		
				SHEET 1 OF 1		

Mounting Base

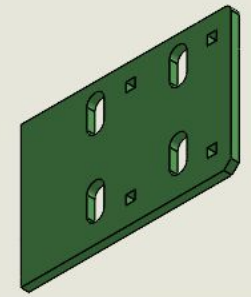
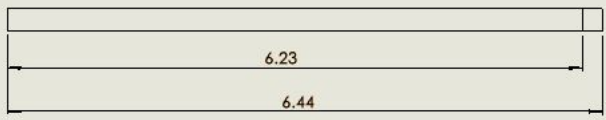
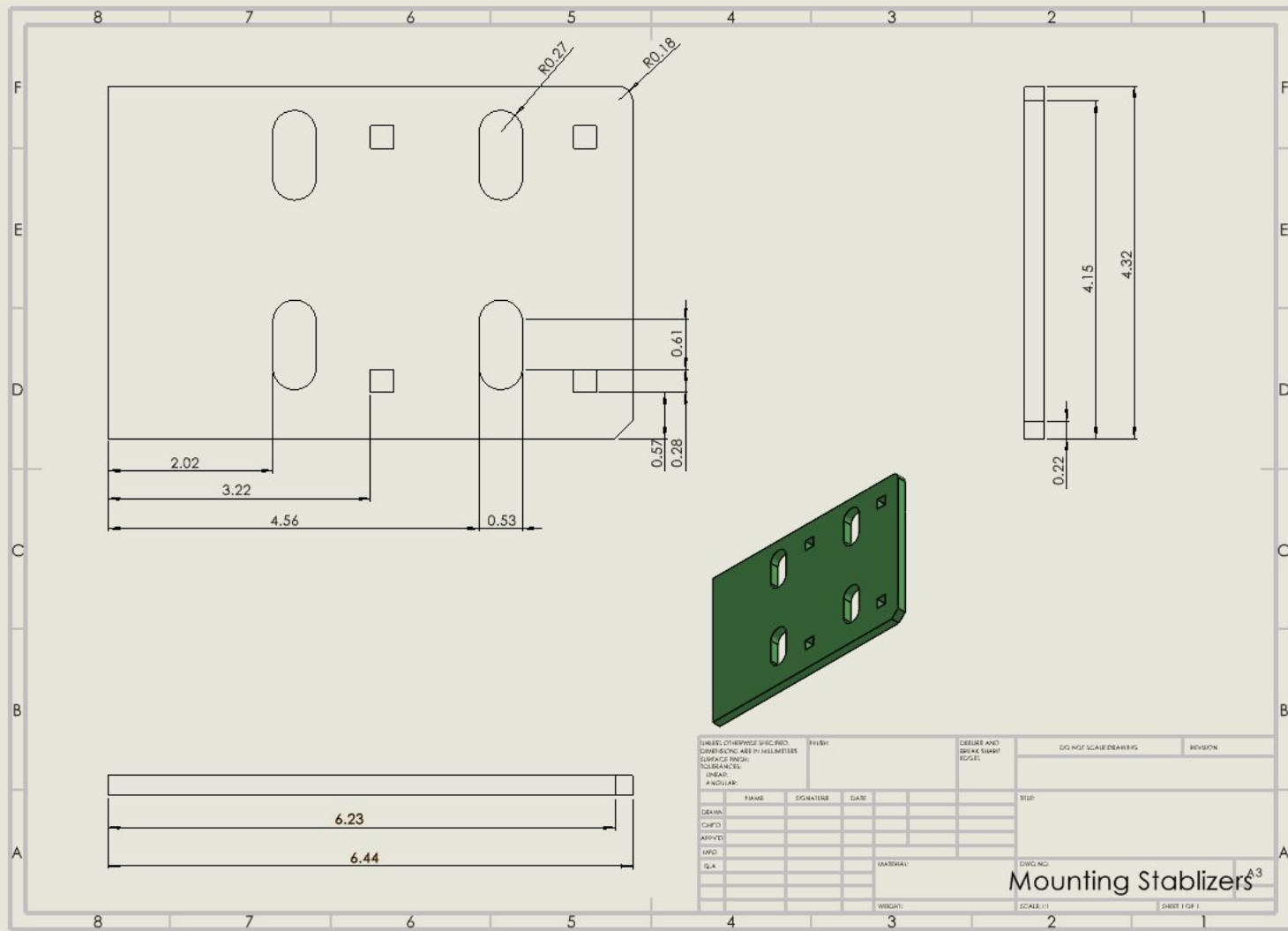
A3



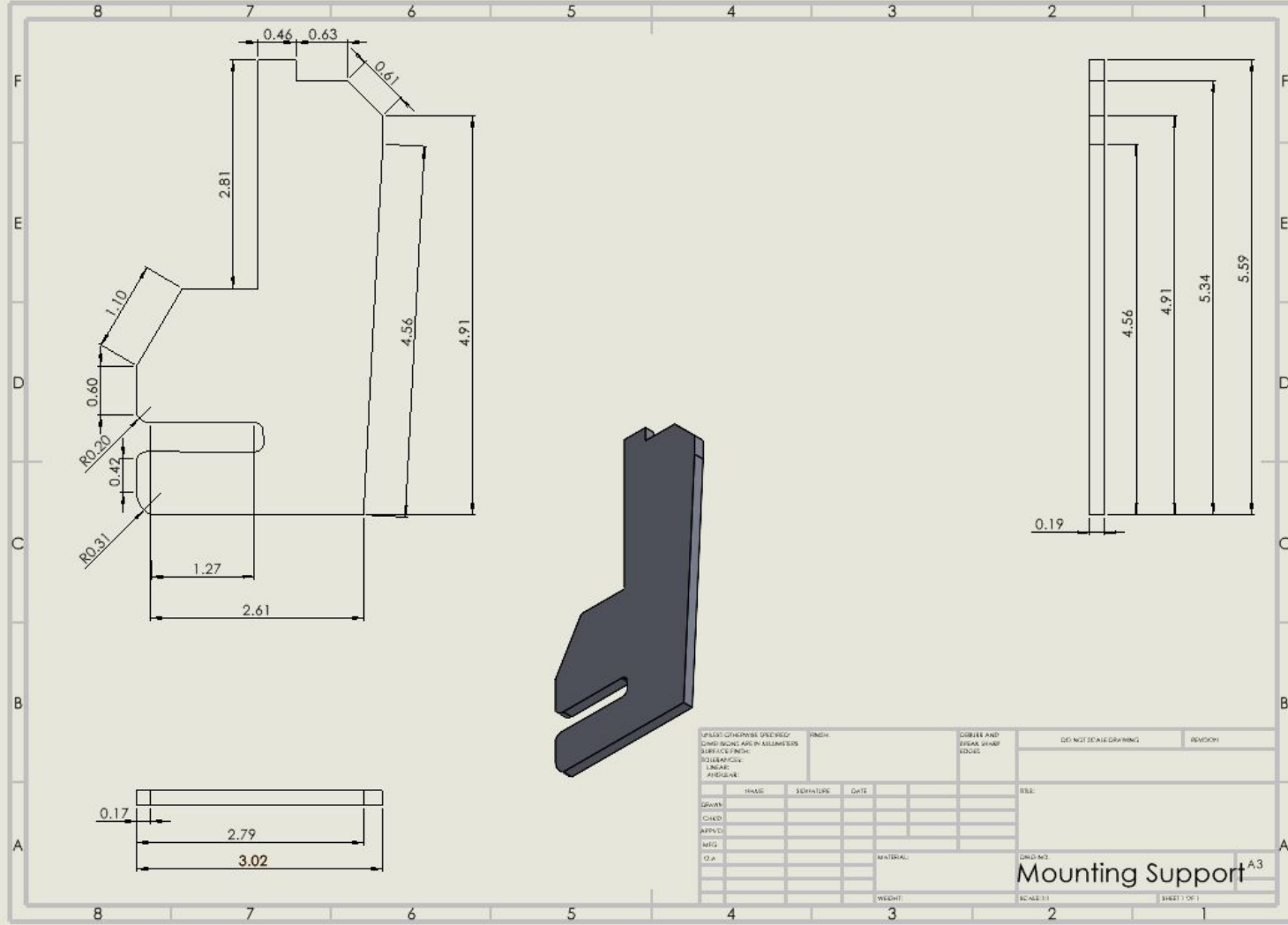
UPLOV: OTHERS SPECIFED:		FINISH:		DURABLE AND EASY SHARP EDGES		DO NOT SCALE DRAWING		REVISION:	
DIMENSIONS ARE IN MILLIMETERS UNLESS OTHERWISE SPECIFIED:									
LINEAR:									
ANGULAR:									
DRAWN:	NAME:	SIGNATURE:	DATE:			FILE:			
CHECKED:									
APPROVED:									
DATE:									
C.A.:									
				MATERIAL:		DIM. NO.:			
						Mounting Part 2 A3			
				WEIGHT:		SCALE:		SHEET NO.:	
								1	



UNLESS OTHERWISE SPECIFIED:		FINISH	DEFLEP AND	DO NOT SCALE DRAWING	REVISED
DIMENSIONS ARE IN PARENTHESES			BREAK SHARP		
SURFACE FINISH:			EDGES		
UNLESS					
ANGULAR					
DRAWN	NAME	SIGNATURE	DATE	TITLE	
CHECKED					
APPROVED					
ENG.					
QA					
			MATERIAL	DWG. NO.	
				Mounting Side	
				A3	
			WEIGHT	SCALE: 1:1	
				SHEET 1 OF 1	



UNLESS OTHERWISE SPECIFIED: (DIMENSIONS ARE IN MILLIMETERS)			FINISH:	CHECKS AND BREAK SHARP EDGES:	DO NOT SCALE DRAWING	REVISION
SURFACE FINISH:						
TOLERANCES:						
LINEAR:						
ANGULAR:						
DESIGN:	NAME	SIGNATURE	DATE	TITLE:		
CHECKED:				DWG NO: Mounting Stabilizers^{A3} SCALE: 1:1 SHEET 1 OF 1		
APPROVED:						
ENGR:						
QA:						
			MATERIAL:			
			WEIGHT:			



FIRST CHECKS GREENS/			FINISH	CORNER AND		DO NOT SCALE DRAWING	REVISION
DIMENSIONS ARE IN MILLIMETERS				BREAK SHARP			
SURFACE FINISH				EDGES			
TOLERANCES							
LINE							
FREQUENCY							
DRAWN	NAME	SCHEDULE	DATE			DATE	
CHECKED							
APPROVED							
REV							
Q.A.							
				MATERIAL			
				WEIGHT			
						DWG NO	
						Mounting Support^{A3}	
						SCALE 1:1	SHEET 1 OF 1